

**FOR USE WITH THE SPIRIT UTILITY SLOT ROLL BAR AND
STANDARD SLOT ROLL BARS**

RV Accessory

PROVIDING POWER (ALL INSTALLATIONS)

The Thin-Lite is powered by the vehicle's 12VDC system. An exterior receptacle is used for the light cord plug.

1. Determine the location of the receptacle.
 - Locate the receptacle so that there is easy access to a 12VDC power source such as interior overhead cabinet lights, a 12VDC switch near the door etc.
 - Determine the position of the bracket and receptacle so that it can be comfortably reached for easy operation.
 - Position the bracket and receptacle so that when the cord is plugged in it does not create an obstacle (i.e. headroom for walking under).
2. At the predetermined location, drill an 11/16 inch hole into the mounting surface.
3. Attach the receptacle to the bracket as shown.
4. Route the wires from the receptacle through the hole drilled in step 2. Position the bracket and receptacle over the hole and attach using two (2) #6 x 1/2 screws.
5. Two wire clips are furnished, it is not necessary to trim or strip the wires. Place the bottom of the clip over the existing wire in the coach; insert the wire from the receptacle into the top hole of the clip then, with a pair of pliers, squeeze the metal plate into the plastic housing then close the plastic cover. Receptacle wires are marked (+) for 12VDC and (-) for ground.

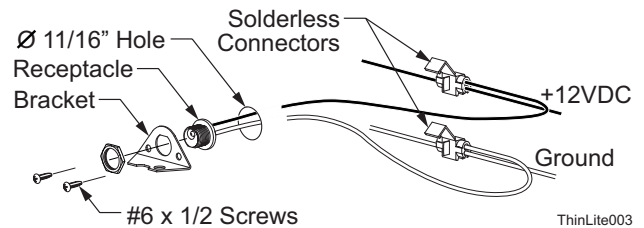


Figure 1. Mounting the Power Receptacle.

INSTALLING THE THIN-LITE (UTILITY ROLL BAR APPLICATIONS)

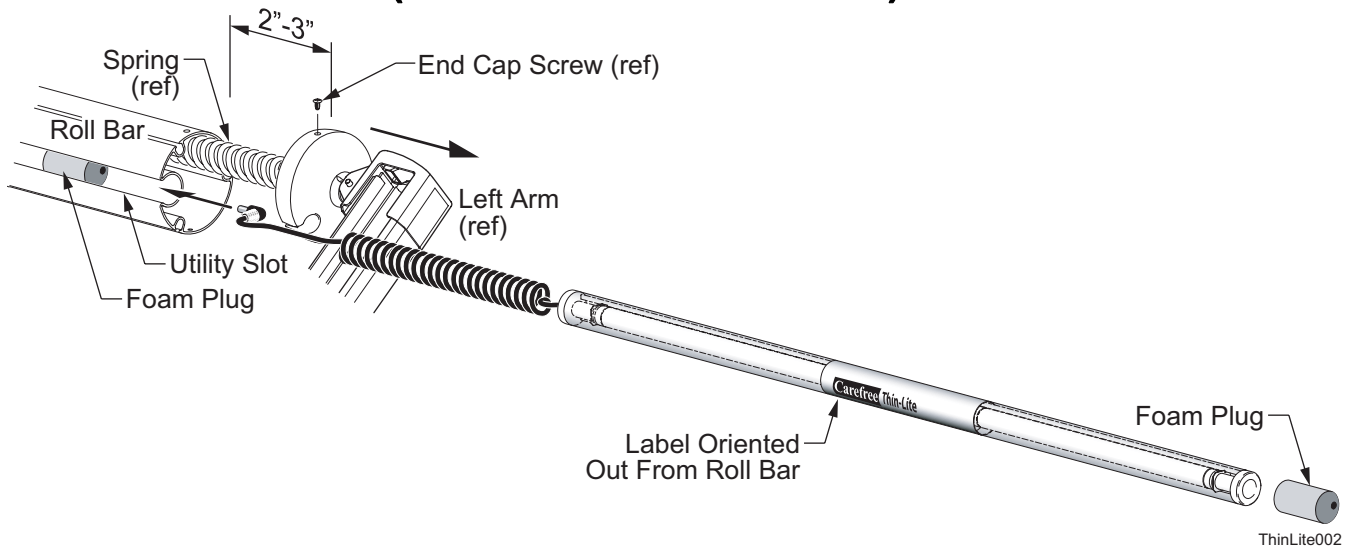


Figure 2. Installing the Thin-Lite into a Utility Roll Bar.

1. Extend the awning out completely per the instructions with the awning. Be sure to lock the braces in position.
2. On the LEFT end of the roll bar, remove the two screws holding the roll bar end cap and set aside.
3. While holding the roll bar, press the left arm out until the end cap clears the end of the roll bar about 2" to 3".
4. Allow the roll bar to rest on the spring. It may be necessary to move the roll bar around to provide clearance to access the utility slot. The utility slot is the large diameter slot in the roller tube.
5. Slide one foam plug into the slot.
6. Slide the Thin-Lite into the slot. Orient the light as shown with the label facing out away from the roller tube.
7. Slide the second foam plug into the slot after the light.
8. Lift the roll bar and slide into the end cap. Ensure that the existing screw holes and slot of the end cap line up with the roll bar. Reattach the end cap with the screws removed previously.

USING THE THIN-LITE MOUNTED IN A UTILITY SLOT ROLL BAR

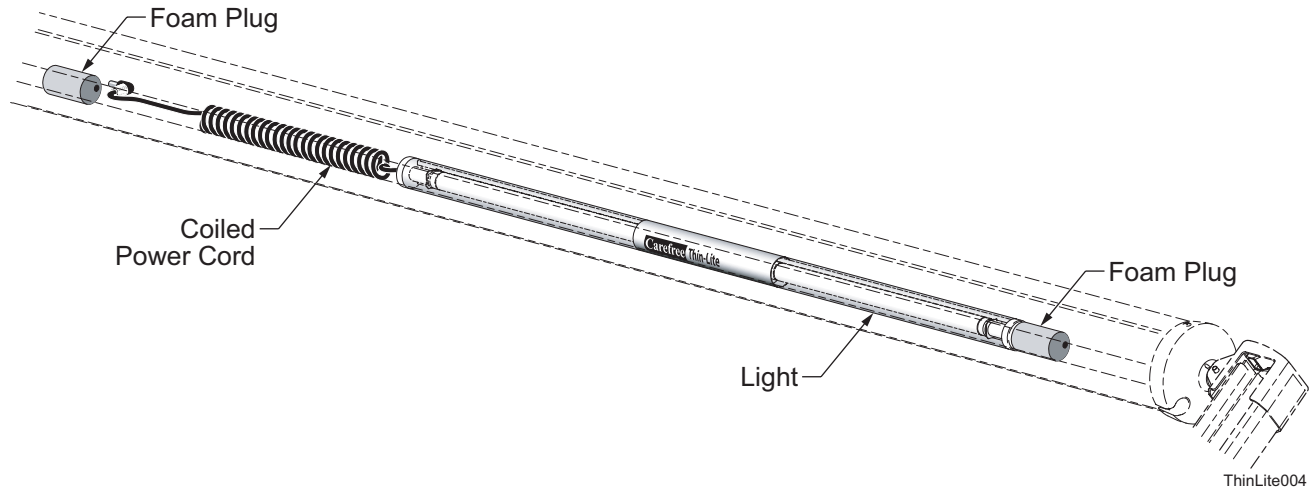
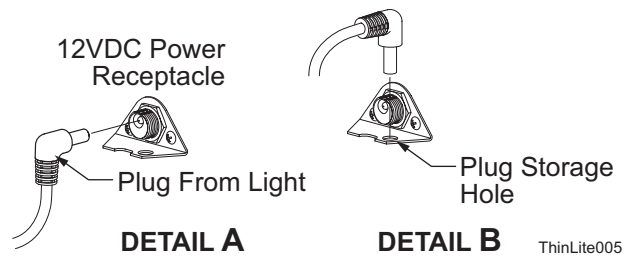


Figure 3. Using the Thin-Lite Mounted in a Utility Slot.

1. Extend the awning out completely per the instructions with the awning.
2. Remove the power cord from the utility slot.
3. Slide the light to the desired location along the roll bar.
4. Use the foam plugs to hold the light in position.
5. (Detail A) Connect the cord to the receptacle.

NOTE: During times when the light does not need to be on but the awning remains extended (such as during the day), the cord can be unplugged to shut off the light and the plug stored in the storage hole of the receptacle bracket (Detail B).

6. When the awning is to be rolled up, coil the cord back into the utility slot. Push the cord plug into the foam plug then push the foam plug toward the light to hold the cord in place.



DETAIL A **DETAIL B**

Figure 4. Attaching the Plug.

⚠ CAUTION

TO PREVENT DAMAGE TO THE CANOPY, THE CORD MUST BE STORED IN THE SLOT BEFORE THE AWNING IS RETRACTED!

USING THE THIN-LITE WITH A STANDARD SLOT ROLL BAR

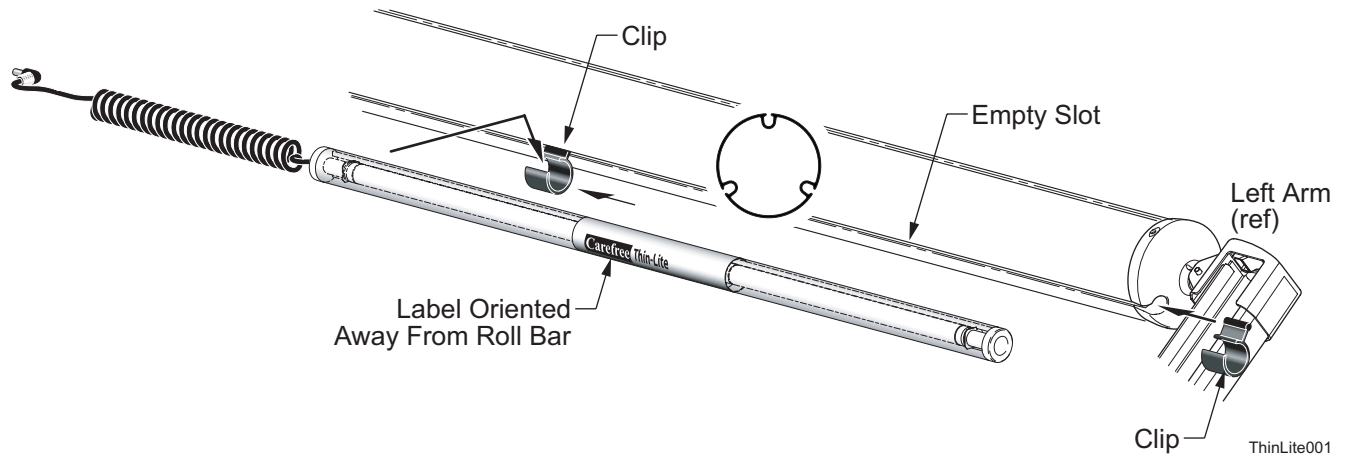


Figure 5. Attaching the Thin-Lite On a Standard Roll Bar.

1. Extend the awning out completely per the instructions with the awning.
2. From the left side of the roll bar, slide the furnished hanger clips into an open slot.

NOTE: If the end cap is not slotted to match the open slot in the tube, it will be necessary to notch the end cap to expose the open slot.

3. Snap the Thin-Lite into the clips. Orient the light as shown with the label facing out away from the roller tube. For best light, position the clips on the ends of the light tube.
4. Slide the light and clips to the desired location along the roll bar.
5. (Detail A) Connect the cord to the receptacle.

NOTE: During times when the light does not need to be on but the awning remains extended (such as during the day), the cord can be unplugged to shut off the light and the plug stored in the storage hole of the receptacle bracket (Detail B).

6. When the awning is to be rolled up, remove the light and clips from the roll bar and store.

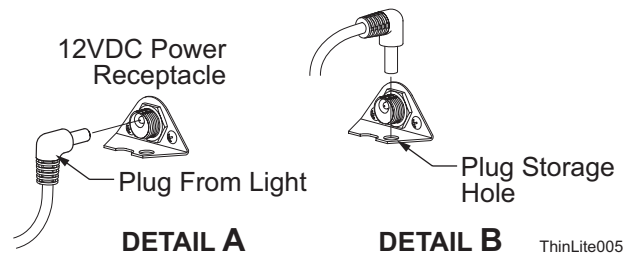


Figure 6. Attaching the Plug.

⚠ CAUTION

TO PREVENT DAMAGE TO THE CANOPY, LIGHT AND/OR HARDWARE, THE LIGHT AND CLIPS MUST BE REMOVED BEFORE THE AWNING IS RETRACTED!

LIMITED WARRANTY

Carefree of Colorado (hereafter referred to as Carefree) warrants to the FIRST retail Purchaser that the Thin-Lite is free of defects in material and workmanship for one (1) year from original date of purchase.

This warranty does not apply to damages that are the result of improper installation, misuse or neglect. In addition, wear and fading from normal use is excluded from this coverage.

WARRANTY CLAIM PROCEDURE

1. Retain a copy of the original purchase receipt.
2. If the product is found defective within the warranty period, return the product along with the original purchase receipt to your qualified Carefree dealer.
3. All returns are for product replacement only. No returns for cash or credit are accepted.
4. Carefree does not cover any costs associated with delivery or return of the product.

