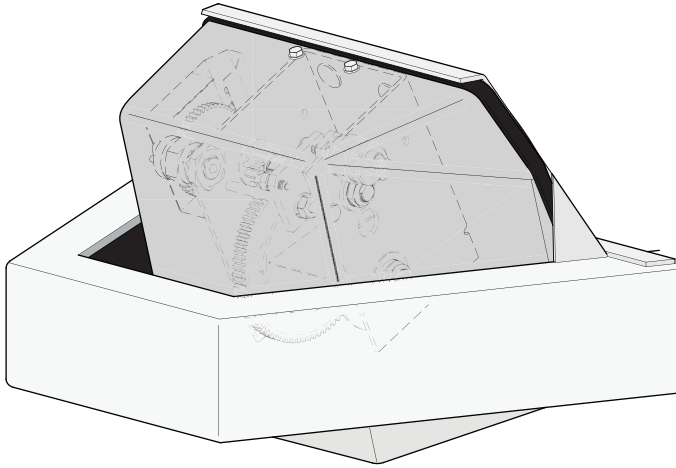


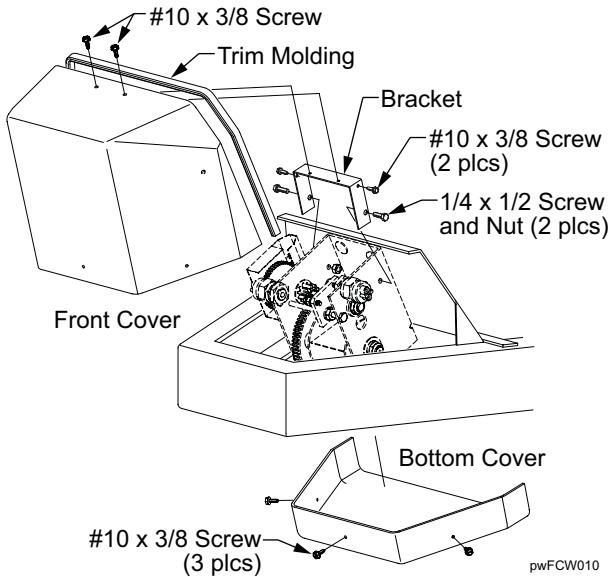
COVER ASSEMBLY**For the Powerwinch Motorized Folding Camper Winch**

pwFCW103

The Cover Assembly for the Powerwinch Motorized Folding Camper Winch is available as an option and ordered separately from the winch. The cover is designed to fit most general applications but may not fit all camper styles. Consult your dealer before purchasing. Many camper manufacturer's also offer cover options.

PRIOR TO INSTALLING THE COVER

1. Install and adjust the winch per the instructions in the Folding Camper Winch Owner's manual. Ensure that the winch is operating correctly.
2. Lower the camper top completely.
3. Disconnect the battery cables to the winch.
4. Place wheel chocks under the wheels to prevent the camper from moving.

COVER INSTALLATION

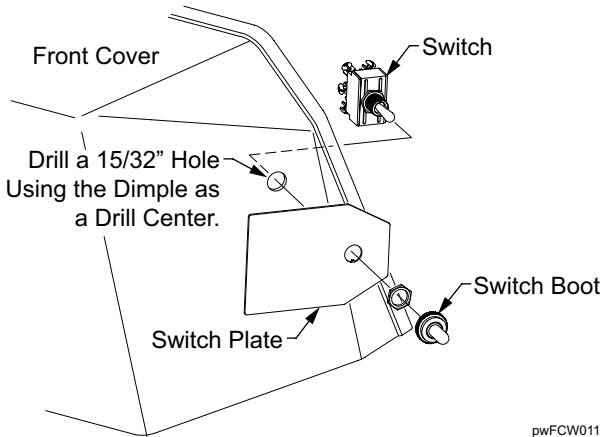
1. Attach the cover bracket to the winch using two (2) each 1/4-20 x 1/2 screws and nuts. Make sure that the bracket is oriented as shown in the diagram.
2. Screw two (2) #10 x 3/8 self tapping screws into the bracket. These screws anchor the bracket and prevent it from pivoting.
3. Press the trim molding onto the back edge of the front cover.
4. If installing the switch in the cover, follow the directions on page 3 then return to step 5 below.
5. Gently press the cover between the bracket and the upper lip of the mounting plate. Align the holes in the cover with the top holes in the bracket.
6. Secure the cover to the bracket using two (2) #10 x 3/8 self tapping screws.
7. Check that the wire harnesses are routed away from any moving parts such as the gear train and cable and secure to the frame using nylon ties or equivalent.
8. Place the bottom cover on the bottom of the top cover and align the three (3) attachment holes.
9. Attach the bottom cover using three (3) #10 x 3/8 self tapping screws. Use care to not over tighten the screws. Over tightening can cause the plastic to strip out.

Tip: Install the front screw first then install the two side screws.
10. Check that all fasteners and wire cables are secure then attach the winch power cables to the battery. The RED wire with the 50 amp circuit breaker goes to the POSITIVE (+) terminal of the battery/ the BLACK wire to the NEGATIVE (-) terminal.

This completes the cover installation for the Powerwinch Folding Camper Winch.

OPTIONAL SWITCH INSTALLATION

These directions are if the switch is to be mounted in the cover if there is not a suitable frame location.



pwFCW011

1. Locate the dimple in the right side of the top cover. This is the drill center for the switch.
2. Drill a 15/32" hole into the cover.
3. Clean and dry the surface then peel off the paper backing from the switch plate and adhere the switch plate over the hole. The hole in the plate must align with the hole drilled in step 2.
4. Set the cover next to the winch so that the switch cable can reach the hole in the cover.
5. Mount the switch using the supplied jamb nuts and the rubber switch boot. Orient the switch so that the notch in the switch aligns with the tab in the hole of the switch plate.
6. Return to step 5 on the previous page.

Powerwinch

www.powerwinch.com