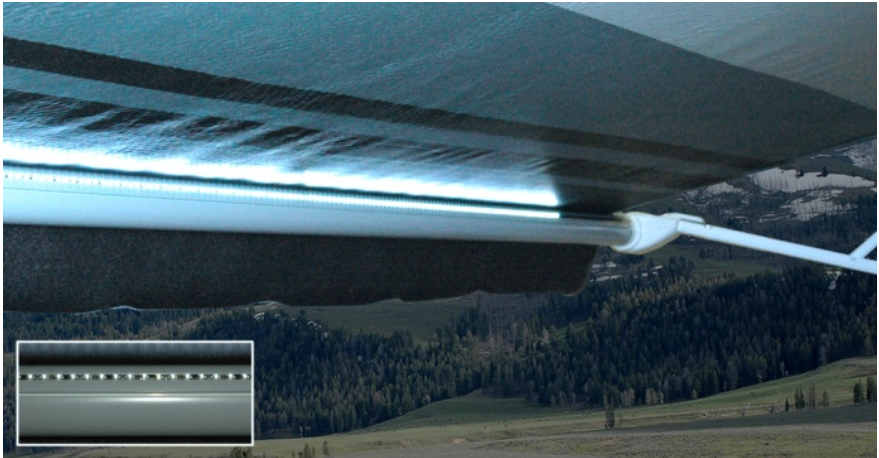




RV Accessory

OWNER'S MANUAL WHITE LED LIGHTING KIT

FOR USE ON STANDARD ROLLER TUBES



Product Description

MOUNTING:	LED:	LED light strip mounts on the roller tube.
	Wiring:	Harness and remote control module are removable for storage when the awning is retracted
LENGTH:	Available for awnings 10' – 21'* <i>*Maximum LED strip length is 16' 5". Strip is centered on roller tube for units longer than 18'</i>	
POWER:	2A, 12Vdc wired into the vehicle's 12Vdc system. A 110Vac adaptor is furnished to allow the lights to be plugged into a standard 110Vac outlet.	
CONTROL:	The remote control provides simple push button on/off and infinite adjust dimming.	

The enclosed directions are for mounting the LED strip on a standard roller tube. The LED strip can be mounted on any flat surface. Follow the directions for cleaning, trimming and wiring for all applications.

INTRODUCTION

From its beginning in the early 70's, Carefree of Colorado has emerged as the premier manufacturer of quality awnings and accessories for Recreational Vehicles (RVs). Our full line of products can provide the accessories that match your life style; no matter what type of RV you own.

Check with your dealer to discover the products that can make your life more Carefree.

TABLE OF CONTENTS

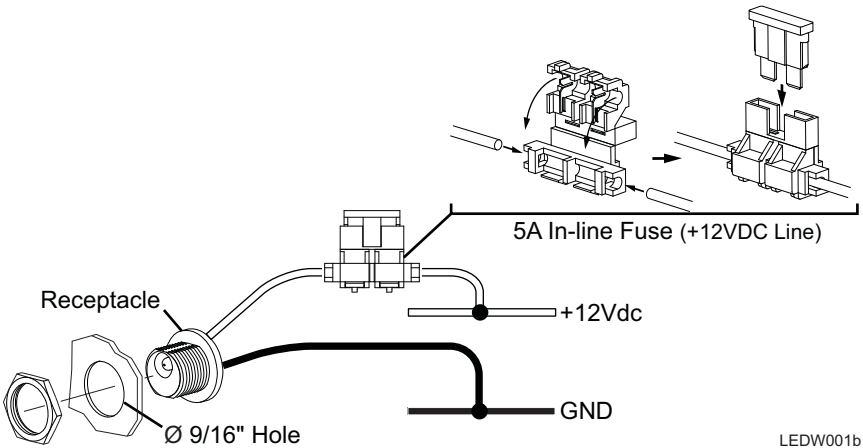
Introduction	2
Providing Power	3
Installing the 12Vdc receptacle.....	3
Installing the LED Strip.....	4
Operation	6
Storage.....	6
Carefree Major Product Limited Warranty.....	7

PROVIDING POWER

Power for the LED Lights can be provided through the vehicle's 12Vdc system. An exterior receptacle is used for the power cord plug. Alternately, an 110Vac adaptor is furnished so that the lights may be plugged into a standard 110Vac outlet.

INSTALLING THE 12VDC RECEPTACLE

- Determine the location of the receptacle.
 - Locate the receptacle to provide easy access to a 12Vdc power source such as interior overhead cabinet lights or a 12Vdc switch near the door etc.
 - The receptacle location should be comfortably accessible.
 - Position receptacle so that when the cord is plugged in it does not create an obstacle (i.e. headroom for walking under).

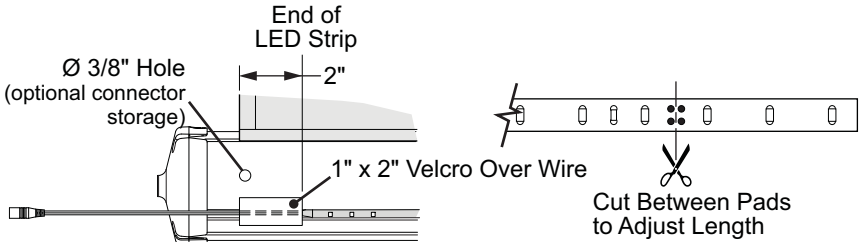


LEDW001b

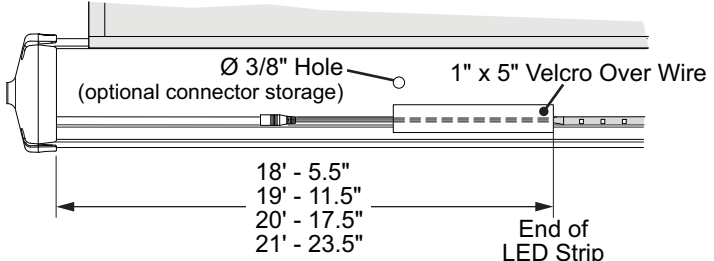
- At the mounting location, drill an 9/16 inch hole through the mounting surface.
- From inside, insert the receptacle through mounting surface and secure with the supplied nut.
- Route the wires from the receptacle to +12Vdc and ground wires in the vehicle. Receptacle wires are marked (+) for 12Vdc and (-) for ground.

NOTE: The vehicle's 12Vdc and ground wires must be a minimum 18awg wire.
- Splice the receptacle wires to the existing vehicle wires. Ensure that the splices are tight, solid and sealed when completed.
- Install the in-line fuse:
 - Cut the 12Vdc power between the receptacle and the clip. Do not strip the insulation.
 - Insert a wire end into one of the wire channels until it butts against the stop.
 - Fold that half of the connector body over until the element contacts the wire. Use pliers to crimp the connector closed.
 - Repeat for the second wire end.
 - Slide the fuse into the fuse port. Ensure that it is firmly seated.

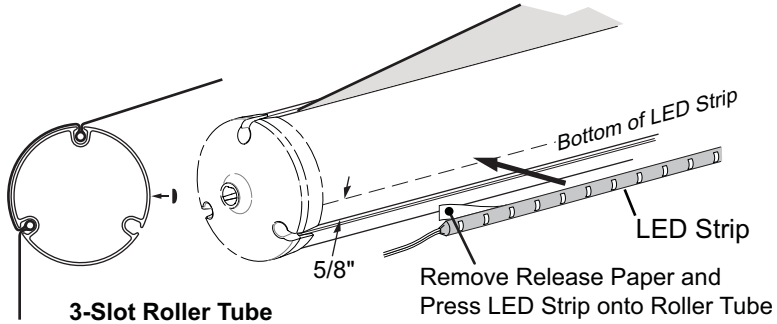
INSTALLING THE LED STRIP



Awning Lengths of 17' or Less

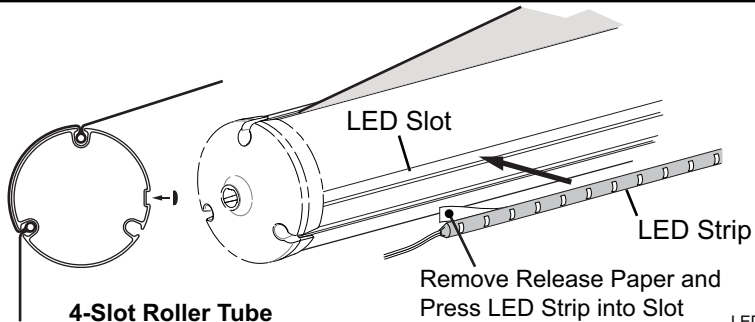


Awning Lengths of 18' and Larger



3-Slot Roller Tube

Remove Release Paper and Press LED Strip onto Roller Tube



4-Slot Roller Tube

Remove Release Paper and Press LED Strip into Slot

LEDW002

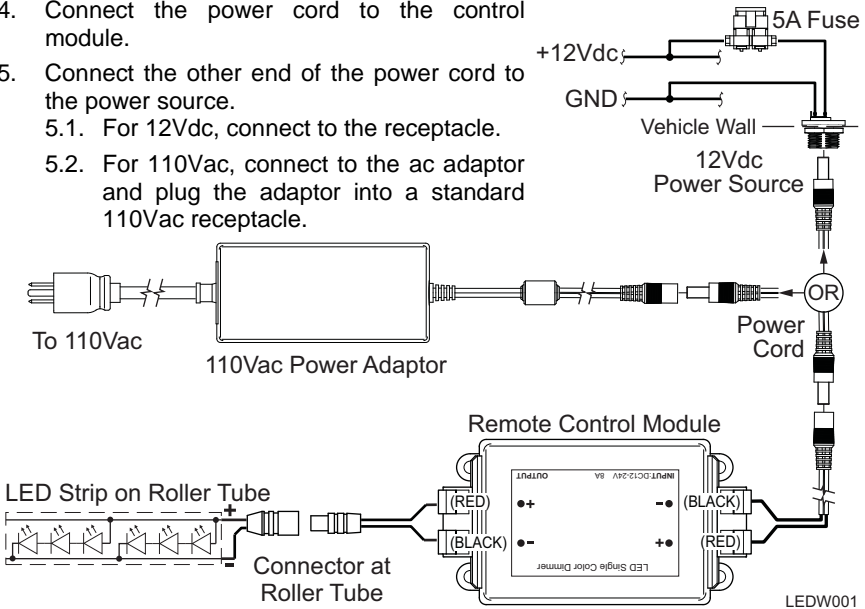
Two types of roller tubes are used on Carefree products. Older roller tubes (3-slot) have a smooth surface between the canopy and the accessory slot. Newer roller tubes (4-slot) have an additional shallow slot for mounting LED strips.

NOTE: The LED strip is sent on a roll and must be cut to length during installation for awnings 17' 6" or less.

1. Open the awning to expose the roller tube.
2. Use the isopropyl wipe included with the kit and thoroughly clean the area where the LED strip is to be mounted.
3. Measure the horizontal position of the strip:
 - 3.1. *For awnings 17' 6" or less:* Mark a vertical line on the roller tube that is 2" inside the edge of the canopy. This will be the start of the LED strip (not including the wire).
 - 3.2. *For awnings 18' or longer:* Mark a vertical line using the distances shown on the diagram. This will be the start of the LED strip (not including the wire).
4. *For 3-slot roller tubes:* Using a non-permanent marker, mark a line 5/8" above the accessory slot.
5. Remove the release paper from the back of the strip.
 - 5.1. *For 3-slot roller tubes:* Align the bottom of the strip with the line made in step 5. Start the strip at the mark made in step 3.
 - 5.2. *For 4-slot roller tubes:* Start the strip at the mark made in step 3. Press the strip into the groove.
6. *For awnings 17' 6" or less:* At the end of the roller tube, cut the LED strip approximately 2" inside the canopy edge. To trim the LED strip, always cut between the 4-pad cluster as shown.
7. Lay the wire harness from the LED strip flat against the roller tube. Secure with the 1" x 5" piece of Velcro furnished with the kit. It may be necessary to trim the Velcro to fit as shown.
8. *Optional LED Connector Storage:* Drill a 3/8" hole into the roller tube. Be sure to clean and deburr the hole. Locate the hole as shown between the LED strip and canopy. This can be used to store the connector out of the way when the awning is retracted.

OPERATION

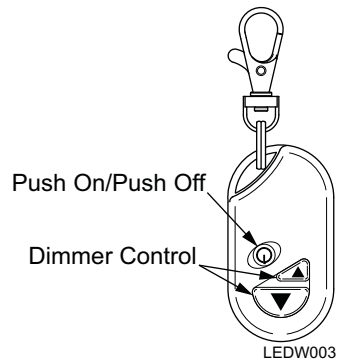
1. Open and set the awning per the awning manufacturer's instructions.
2. Connect the wire lead from the control module to the LED strip.
3. Set the control module in the open arm channel.
4. Connect the power cord to the control module.
5. Connect the other end of the power cord to the power source.
 - 5.1. For 12Vdc, connect to the receptacle.
 - 5.2. For 110Vac, connect to the ac adaptor and plug the adaptor into a standard 110Vac receptacle.



6. To operate the lights use the supplied remote. The remote control provides simple push button on/off and infinite adjust dimming.

Important Note: The module electronics require a power reset periodically. To reset the module, disconnect the power then reconnect. It is recommended to disconnect the power when the LEDs are not in use.

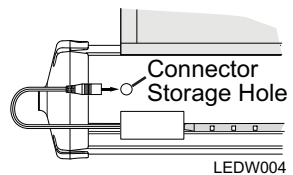
CAUTION Disconnect and remove the control module before retracting the awning. Damage to the control and/or awning can occur.



STORAGE

1. Disconnect and remove the module and power cord.
2. Tuck the LED connector under the canopy or place the LED harness connector into the optional storage hole in the roller tube.

NOTE: Tucking the connector under the canopy will securely hold and protect the connector during storage but may cause minor "dimpling" in the canopy.



3. Retract the awning according to the awning manufacturer's instructions. The LED strip remains on the roller tube when the awning is retracted.

CAREFREE MAJOR PRODUCT LIMITED WARRANTY

Carefree of Colorado (hereafter referred to as Carefree) warrants to the first retail Purchaser that the Carefree Product is free of defects in material and workmanship within the terms and conditions as set forth in the warranty statement available online at www.carefreeofcolorado.com. Carefree's obligation under this warranty is limited to the repair or replacement, at Carefree's option, of any defective component with new or factory refurbished components.

OWNER MUST RETAIN THE ORIGINAL PROOF OF PURCHASE AND/OR HAVE THE PRODUCT WARRANTY REGISTRATION ON FILE AT CAREFREE FOR WARRANTY CLAIMS.

THIS WARRANTY IS NOT TRANSFERABLE.

For

- **Warranty Duration;**
- **Warranty Coverage and Exclusions;**
- **Warranty Terms of Coverage; and,**
- **Warranty Claim Procedures**

Refer to publication

**052580-111 "Carefree Major Product Limited Warranty"
available online at**

www.carefreeofcolorado.com

Register your Carefree products on-line at www.carefreeofcolorado.com

IMPORTANT NOTICE: It is strongly recommended that adjustments and repairs not described in this book be performed by trained technicians at your Authorized Carefree Dealer. Work performed by non-authorized persons or businesses may void warranty.

