



# INSTALLATION MANUAL SLIDEOUT COVER

RV



Read this manual before installing or using this product. Failure to follow the instructions and safety precautions in this manual can result in personal injury and/or cause the product to not operate properly.



## TABLE OF CONTENTS

<b>Product Overview</b> .....	<b>1</b>
General Description and Specifications.....	1
Component Checklist.....	2
<b>Installation</b> .....	<b>3</b>
Mounting the Brackets.....	3
Installing an Awning Rail.....	4
Mounting the Awning .....	4
Installing the RH Anti-Lock Assembly.....	4
Mounting the Roller Tube Assembly .....	5
Setting Up the Anti-Billow Lock.....	6

## PROPRIETARY STATEMENT

The SLIDEOUT COVER is a product of Carefree of Colorado, located in Broomfield, Colorado, USA. The information contained in or disclosed in this document is considered proprietary to Carefree of Colorado. Every effort has been made to ensure that the information presented in the document is accurate and complete. However, Carefree of Colorado assumes no liability for errors or for any damages that result from the use of this document.

The information contained in this manual pertains to the current configuration of the models listed on the title page. Earlier model configurations may differ from the information given. Carefree of Colorado reserves the right to cancel, change, alter or add any parts and assemblies, described in this manual, without prior notice.

Carefree of Colorado agrees to allow the reproduction of this document for use with Carefree of Colorado products only. Any other reproduction or translation of this document in whole or part is strictly prohibited without prior written approval from Carefree of Colorado.

## SAFETY INFORMATION



**This is the safety alert symbol. It is used to alert individuals to potential personal injury hazards. Obey all safety messages that follow this symbol to avoid possible personal injury or death.**



**Indicates a hazardous situation, which if not avoided, could result in death or serious bodily injury.**



**Indicates a hazardous situation, which if not avoided, may result in minor or moderate bodily injury.**



**Indicates a situation that may result in equipment-related damage.**

General Safety:



**Shock Hazard. Always disconnect battery or power source before working on or around the electrical system.**



**Always wear appropriate safety equipment (i.e. goggles).**



**Always use appropriate lifting devices and/or helpers when lifting or holding heavy objects.**



**When using fasteners, do not over tighten. Soft materials such as fiberglass and aluminum can be "stripped out" and lose the ability to grip and hold.**

CALIFORNIA PROPOSITION 65



**This product contains chemicals known to the state of California to cause cancer or birth defects or other reproductive harm. California's Proposition 65 requires this warning to be given to customers in the state of California.**

## Reference Publications located @ [www.carefreeofcolorado.com](http://www.carefreeofcolorado.com):

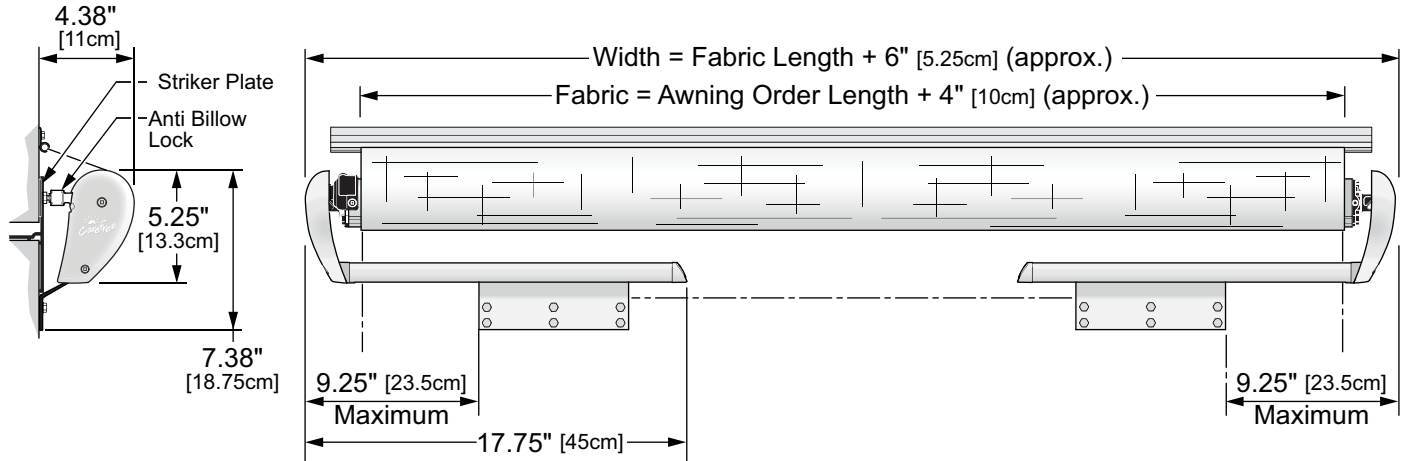
052559-001 Installation Manual

052559-301 Service Manual

# PRODUCT OVERVIEW

## GENERAL DESCRIPTION AND SPECIFICATIONS

- Light weight Slideout cover with style and performance;
- Simple Installation;
- Two mounting bracket sizes available to accommodate a range of room flange sizes;
- Carefree's innovative automatic anti-billow lock securely holds the fabric during travel. The lock automatically engages when the room is closed and automatically releases when the room is opened;



Shown with tall bracket, dimensions are approximate. Actual dimensions may vary based on installation and room configuration.

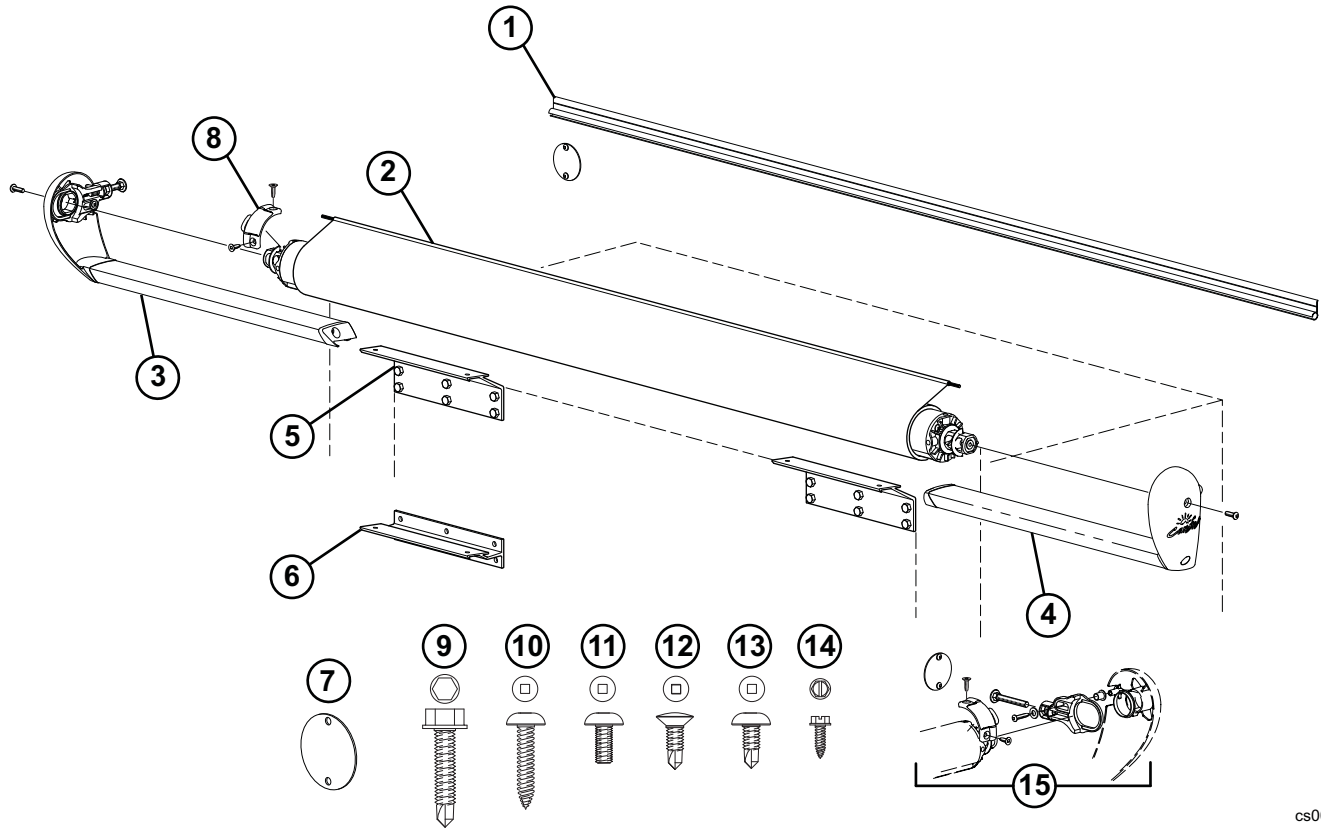
cs007pc

**AVAILABLE LENGTHS:** (measured box length) 42" - 202" | **AVAILABLE EXTENSION:** Up to 42"

<b>FABRIC TENSION</b>		One spring mounted in RH end of roller tube
<b>COLOR:</b>	<i>Hardware:</i>	White, Black
	<i>Fabric:</i>	Vinyl (refer to sales literature for available colors)
<b>WEIGHT:</b>	<i>Standard</i>	Base Weight @ 42" Box Length = 13.5 lbs; for every 12" increase, add 1 lb
<i>Weight calculation is approximate. Actual weight may vary based on specific installation details</i>		

**NOTICE** When installing the awning it is important that the correct awning length is used and that the brackets are positioned so that the arms are fully engaged in the mounting brackets as shown. Failure to mount the awning with the arms fully engaged can result in the anti-billow lock not functioning properly and allowing the awning to billow.

COMPONENT CHECKLIST



cs003

<input checked="" type="checkbox"/>	ITEM	DESCRIPTION	QTY	NOTE	
<input type="checkbox"/>	1	Awning Rail	1	3	
<input type="checkbox"/>	2	Roller Tube Assy w/ Fabric	1		
<input type="checkbox"/>	3	End Cap Assy, LH	1		
<input type="checkbox"/>	4	End Cap Assy, RH	1		
<input type="checkbox"/>	5	Mounting Bracket, Tall	2	2	
<input type="checkbox"/>	6	Mounting Bracket, Short	2	2	
<input type="checkbox"/>	7	Striker Plate	1		
<input type="checkbox"/>	8	Pin Tab, Lock	1		
<input type="checkbox"/>	9	Screw, Self-Drilling, HWH	Bracket Mount	#12 x 1 1/4	12
<input type="checkbox"/>	10	Screw, Pan Head Sq Drive	Striker Attach	#10 x 1	2
<input type="checkbox"/>	11	Screw, Pan Head Sq Drive	Roller Tube Attach	#10-32 x 1/2	2
<input type="checkbox"/>	12	Screw, Oval Head, Self Drilling	Pin Tab Attach	#10 x 12	2
<input type="checkbox"/>	13	Screw, Pan Head Sq Drive	Extension Attach	#10 x 1/2	4
<input type="checkbox"/>	14	Screw, HWH	Fabric Attach	#6 x 3/8	2
<input type="checkbox"/>	15	Plunger Kit		NOTE	4

- NOTES:
1. Awning configuration is specified at time of order, including awning length, fabric color etc. Check awning assembly against original purchase order.
  2. Bracket style (item 6 or 7) is specified at time of order.
  3. Awning rail must be specified at time of order. A screw packet is included with awning rail.
  4. Plunger Kit (item 15) is required for awnings 167"-202" (order length) and furnished with roller tube assemblies for those lengths. Kit is mounted in the RH end cap during installation. Kit is optional for awnings 166" and shorter. Kit can be ordered separately for shorter lengths.

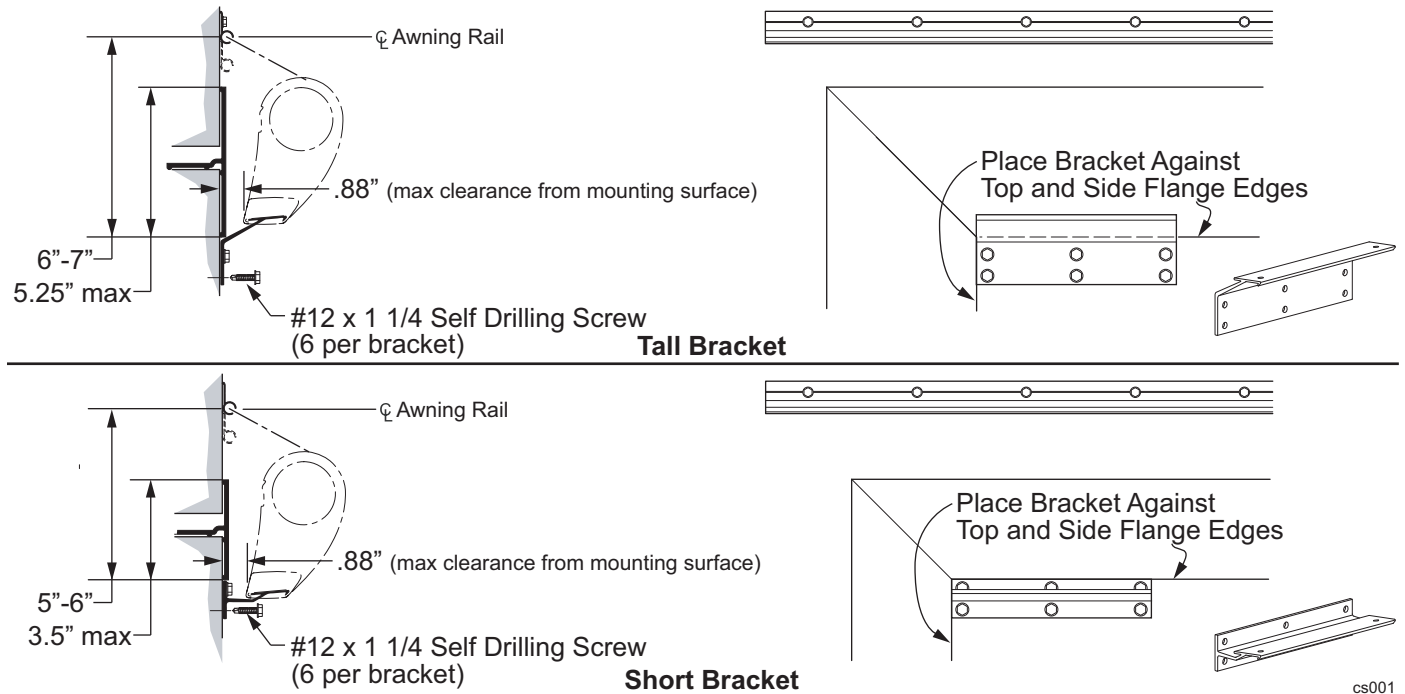
# INSTALLATION

During installation, the room should be closed until instructed otherwise.

## MOUNTING THE BRACKETS

Two brackets are available for mounting the SLIDEOUT COVER. The tall bracket is used for large flanges, the short bracket is used for smaller flanges.

**NOTICE** The mounting surface must have sufficient framing or backing to support the brackets and allow the use of the screws. Aluminum or fiberglass skins are not adequate to support the installation.

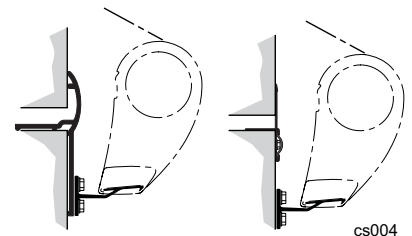


*If installing a new awning rail:*

1. Align the mounting brackets with the inner edges of the top and side room flanges. Go to step 5.

*If using an existing awning rail:*

2. Measure the distance from the inner flange edge to the center of the awning rail.
3. If the distance is within the range shown, align the mounting brackets with the inner edges of the top and side room flanges. Go to step 5.
4. If the distance is outside the range shown, adjust the vertical position of the bracket to match the acceptable range. The bracket can be mounted below or on the flange as long as the screws enter the structure of the room and the position does not exceed the maximum height to top of flange as shown.
5. Using a quality silicone sealant, coat the mounting surface of the bracket with particular attention around the mounting holes.
6. Attach the brackets using the supplied #12 x 1 1/4 self-drilling screws.

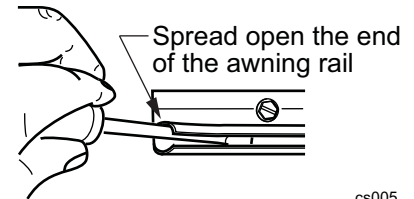


## INSTALLING AN AWNING RAIL

1. Measure up from the bracket as shown on page 3. This is the centerline of the awning rail slot.
2. Seal the back of the rail with silicone sealant or putty tape.
3. Align the centerline of the awning rail and attach using #10 x 3/4 screws. Position the slot pointing down.

*To aid sliding the canopy into position:*

4. (Detail C) Using a screwdriver slightly spread open one end of the awning rail.
5. Clean and deburr the end of the rail.
6. Spray inside the rail track with silicone lubricant.



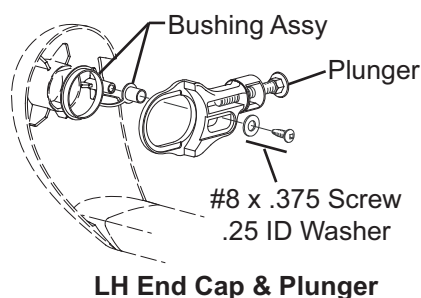
cs005

## MOUNTING THE AWNING

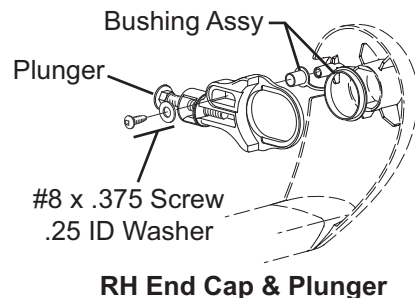
### *Installing the RH Anti-Lock Assembly*

The antilock plunger is mounted in the LH end cap as a standard installation for all awning sizes. For awnings 167" to 202" a second plunger is required and mounts in the RH end cap during installation.

For awnings 166" or shorter, a second plunger is optional and can be ordered separately.



**LH End Cap & Plunger**



**RH End Cap & Plunger**

cs008a

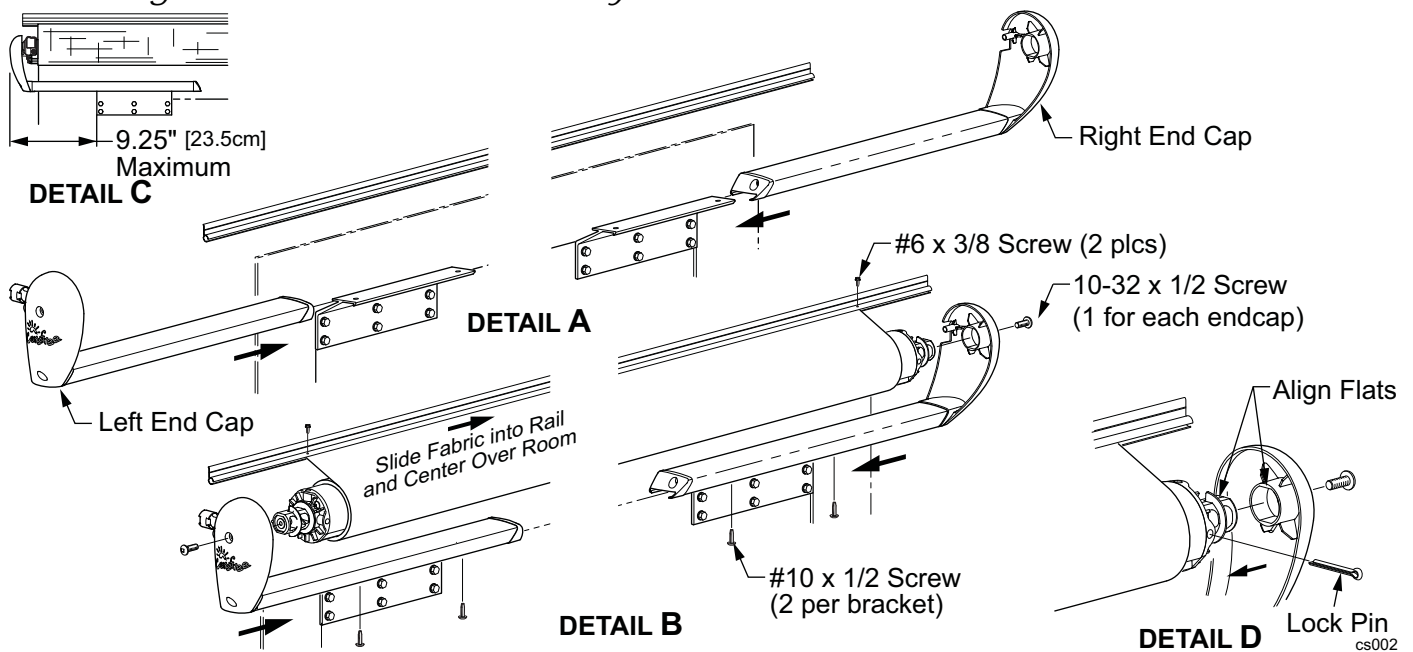
To install a second plunger in the RH end cap:

1. Install the bushings and plunger in the RH end cap and secure using the #8 x .375" screw and .25" ID washer. The washer slides over the projecting post, the screw tightens against the post.

Note that the plunger is flipped from the LH plunger (screw is above the scale) as shown.

2. The adjustment of the plunger(s) and placement of the striker plate(s) are done after completing the installation. Refer to page 6.

Mounting the Roller Tube Assembly



**CAUTION**

Do not remove the spring locking pin until instructed after all steps are complete.

1. (Detail A) Slide the end cap extension onto the mounting bracket. Do not attach at this time.
2. Repeat for the other side.
3. Unroll some of the fabric from the roller tube.
4. Slide the polyrod and fabric into the awning rail. Center the fabric over the room.
5. Roll up the slack material onto the roller tube.

**NOTICE**

Failure to roll up the slack before installing the roller tube will reduce the spring tension. This can cause the fabric to sag and not roll up correctly when the room is closed.

6. (Details B and D) On the RH side (spring side), slide the end cap onto the roller tube spindle. Align the flats of the spindle with the flats in the end cap. The roller tube should be oriented with the spring lock pin facing out.
7. Secure the end cap to the roller tube using one (1) 10-32 x 1/2 pan head cap screw. Torque screw to 25-35 in-lbs.
8. Repeat steps 7 and 8 for the LH end cap.
9. Center the roller tube and fabric over the room.
10. From the bottom, secure the end cap arms to the mounting bracket using two (2) each #10 x 1/2 screws.

**NOTICE**

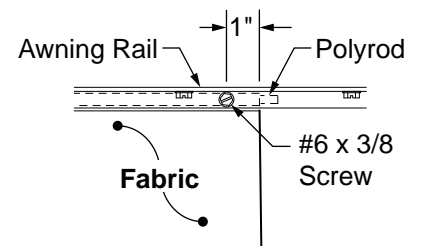
For proper operation of the anti-billow lock, the end cap arms must be fully engaged on the mounting brackets as shown in Detail C.

11. (Detail D) Remove the spring locking pin from the end of the roller tube assembly. This is located on the right end of the roller tube.

**CAUTION**

The roller tube has a pre-wound spring. When the spring lock pin is removed, the roller tube spring will quickly roll up any slack material. Use care that hands and fingers are out of the way.

12. Open and close the room to ensure that the fabric is rolling up straight on the roller tube.
13. Secure the fabric to the awning rail using two #6 x 3/8 screws through the rail and fabric.

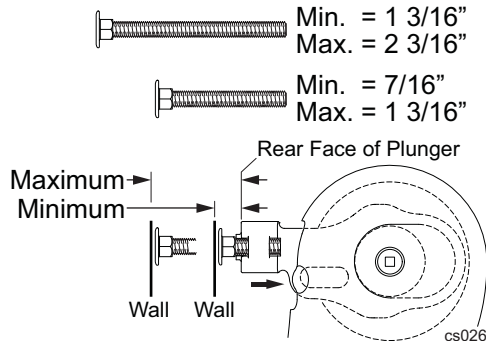


SOK3034a

## SETTING UP THE ANTI-BILLOW LOCK

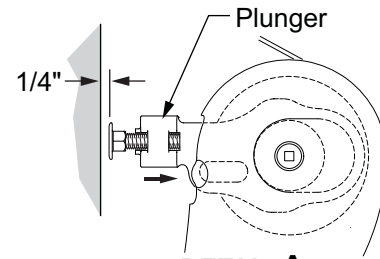
1. Fully close the room if open.
2. (*Detail A*) Press the plunger forward into the cap until it stops.
3. Turn the adjustment bolt until there is a 1/4" gap between the coach wall and the head of the screw.

**NOTE:** Two adjustment bolts are included. The shorter bolt will accommodate most installations; the longer bolt is for installations with a longer distance between plunger and wall. The graphic below shows the application ranges for each.

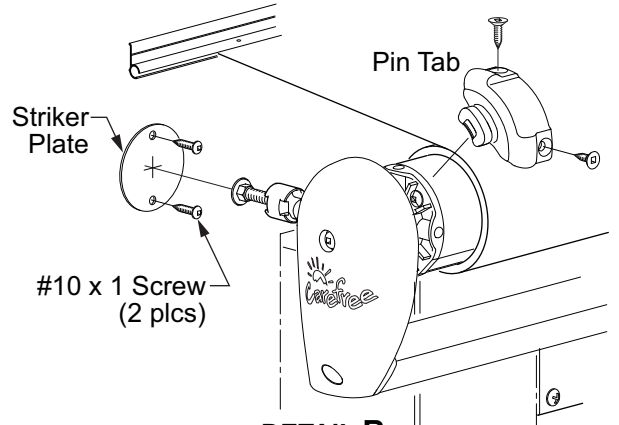


4. On the coach wall, mark the spot that is in line with the center of the adjustment bolt.
5. Open the room a few inches.
6. (*Detail B*) At the mark made previously, mount the striker plate using two (2) #10 x 1 screws.
7. Close the room.
8. Using the flats on the adjustment bolt, adjust as required so that the bolt head contacts the striker plate when the plunger is pushed forward into the cap.
9. After the plunger contacts the striker plate, tighten the adjustment bolt an additional 5 complete turns (approximately 1/4").

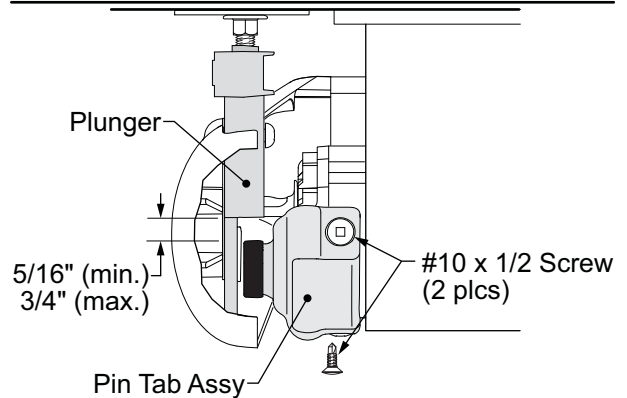
10. (*Detail C*) Set the pin tab on the roller. Align the pin tab assembly as shown. If necessary, adjust the position so that the screw holes DO NOT line up on any slots of the roller tube. When adjusting the position, rotate the tab away from the plunger.
11. Attach the pin tab using two (2) #10 x 1/2 oval head screws.
12. For awnings with a second plunger, repeat the steps for the RH end cap.
13. To test the plunger:
  - 13.1. Pull up on the fabric between the roller tube and awning rail. Do not move the fabric by twisting the roller tube.
  - 13.2. The plunger will move back against the striker plate and stop the roller tube from turning.



**DETAIL A**



**DETAIL B**



**DETAIL C**

cs006