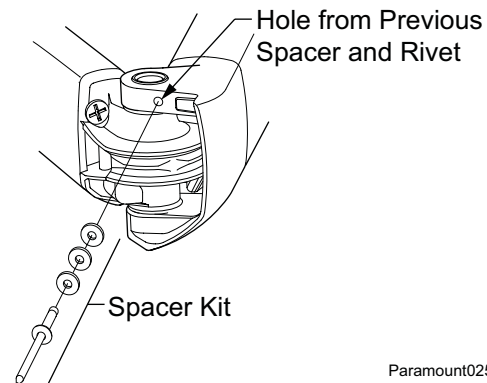
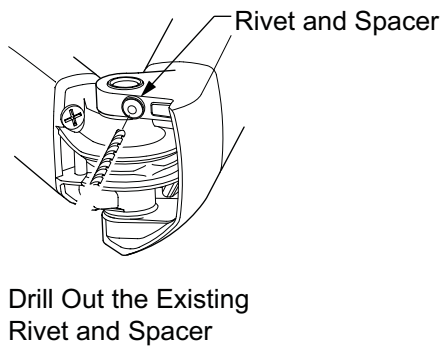


**Models:** Paramounts built prior to September 1, 2008.  
**Purpose:** To prevent the awning from over extending causing the arm elbows to lock out.  
**Summary of Work:** For each arm: Remove existing spacer from elbow, add additional spacers.



1. Open the awning 12"-14" past the slide out room position to provide access to the long arm elbows.
2. Using an 1/8" drill bit, drill out the existing rivet and spacer and discard.

**⚠ CAUTION**

**DO NOT ATTEMPT TO PULL THE ELBOW JOINT OUT OF THE ARM EXTRUSION. THE SPRINGS ARE UNDER TENSION.**

3. In the existing hole, attach the three (3) spacers to the elbow using the furnished pop rivet.
4. Repeat for both arms.