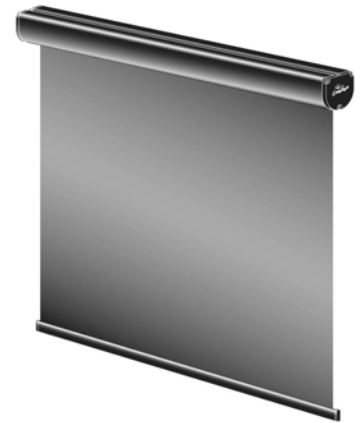




POWER SMART VISOR AND POWER SIDE VISOR

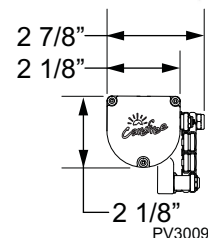
The Carefree line of Powervisor products provides many features for the coach owner.

- ✓ Cuts down heat and glare;
- ✓ Works as a privacy shade while parked;
- ✓ Slim case design;
- ✓ Horizontal mounting brackets provide mounting flexibility and reduced installation labor;
- ✓ Scissor support arm assembly provides increased rigidity that reduces curtain movement;
- ✓ Single switch operation;



SPECIFICATIONS

	POWER SMARTVISOR	POWER SIDEVISOR
Available Widths:	30", 36", 40", 43", 54"	26", 30", 36", 40", 43"
Maximum Drop:	36"	36"
Color:	Black	Black
Fabric:	Black vinyl	Split fabric design: Top =solid black vinyl Bottom = solar see through mesh
Motor:	10VDC-14VDC	Circuit Protection: 5amp
Control:	Single switch operation	Available in LH or RH Internal Mount



INSTALLATION

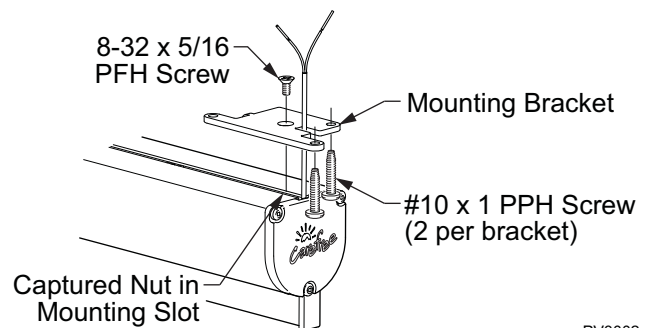
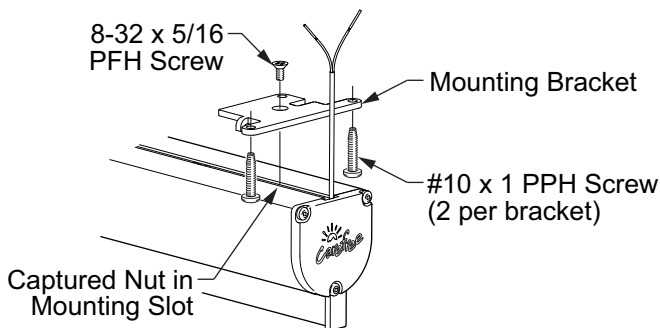


Figure 1. Mounting the Visor.

1. Determine the best orientation to mount the brackets and attach the mounting brackets to the visor using the supplied 8-32 x 5/16 flat head screws.
2. Position the visor and mark the location of the mounting holes and motor wire.
3. Drill four (4) 1/8" pilot holes for the mounting screws.
4. Drill a 1/4" access hole for the motor wire leads.
5. Lift the visor in position, feed the motor wires through and attach the visor using four (4) #10 x 1 screws.

SWITCH AND WIRING

⚠ CAUTION

ALWAYS DISCONNECT THE BATTERY AND ELECTRICAL SOURCES BEFORE WORKING WITH THE ELECTRICAL SYSTEM.

STOP - If using the optional visor remote, use the electrical installation furnished with the remote and receiver. The receiver replaces all hard-wired switches. The receiver **CANNOT** be wired in combination with any switches.

NOTES:

- The switch is momentary on, double pole, double throw, center OFF.
- For proper operation, the switch must be cross-wired as shown below. When the switch is in the center position, the motor leads are shorted together acting as a brake to prevent the lead rail from "coasting" (drifting away from the case).
- If a wire extension is required, the recommended cable from the switch to the visor should be 2 conductor, 20AWG, stranded, PVC coated, unshielded wire.

- Determine the location of the switch.
 - Location should provide the operator a view of the shade during operation.
 - The switch and cover plate requires a 1 3/16" x 1 9/16" area on the mounting surface and minimum clearance depth of 1 3/8" from the mounting surface.
- At the switch location, drill a 1" diameter hole.
- Route the wires from the switch through the hole. Do not mount the switch at this time.
- Route the motor cable wires from the switch location through the coach walls to the visor.
- Butt-splice the motor wires to the cable wires. Match the wire colors.
- Run an 18-gauge wire from the power distribution panel (auxiliary battery circuit) or equivalent. The circuit should be protected by a 5 amp fuse (the motor has a maximum 2 amp stall current).

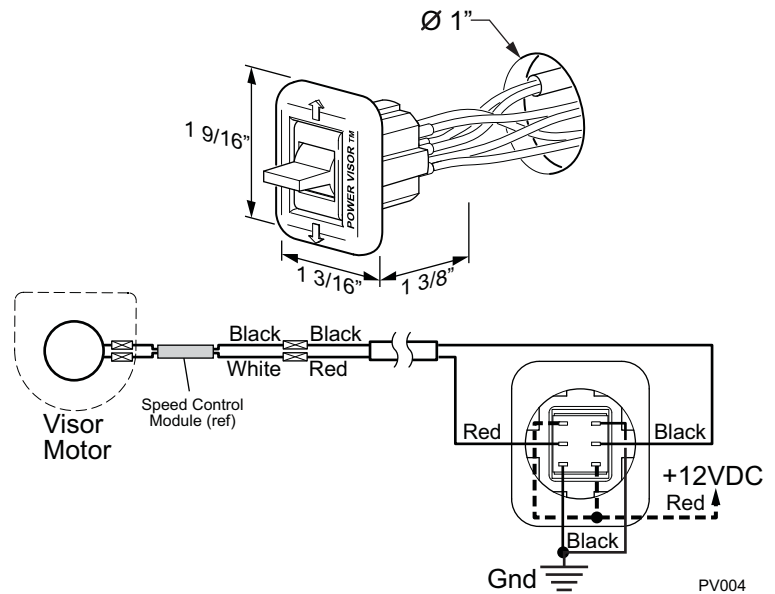


Figure 2. Wiring the Switch

- Run a wire to chassis ground. Suitable ground would be the vehicle chassis or conductive structure connected to the chassis.
- Route the two new wires to the switch and butt splice to the power wire leads on the switch. Black is ground, red is +12VDC.
- Restore vehicle power and test the switch operation. Note which direction raises the shade and which direction lowers the shade.
- Orient the switch so that pushing the switch up corresponds with raising the shade, pushing the switch down corresponds with lowering the shade. Remove the backing paper from the switch plate then carefully push the wires and switch through the switch hole. Press the switch plate against the surface.

LIMITED WARRANTY

Carefree of Colorado (hereafter referred to as Carefree) warrants to the FIRST retail Purchaser that the Power Visor product is free of defects in material and workmanship for one (1) year from original date of purchase.

This warranty does not apply to damages that are the result of improper installation, misuse or neglect. In addition, wear and fading from normal use is excluded from this coverage.

Warranty Claim Procedure

- Retain a copy of the original purchase receipt.
- If the product is found defective within the warranty period, return the product along with the original purchase receipt to your qualified Carefree dealer.
- All returns are for product replacement only. No returns for cash or credit are accepted.
- Carefree does not cover any costs associated with delivery or return of the product.