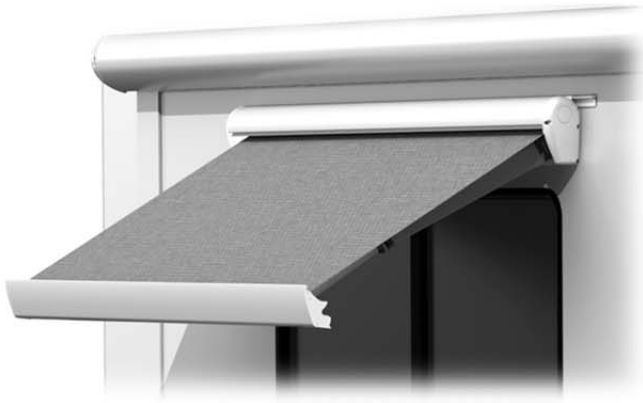




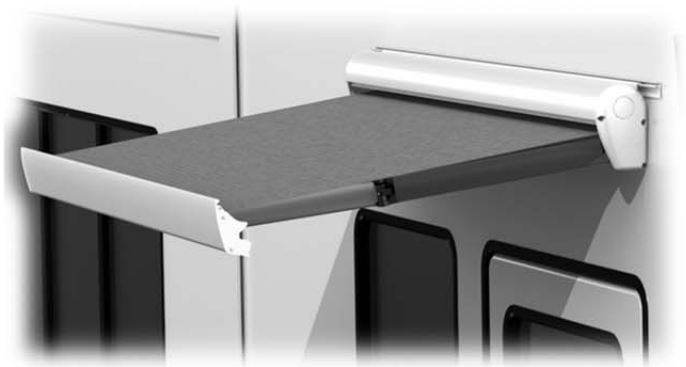
**RV**



Read this manual before installing or using this product. Failure to follow the instructions and safety precautions in this manual can result in personal injury and/or cause the product to not operate properly.



Window



OtD

TABLE OF CONTENTS

**Product Overview** ..... 3

    Component Checklist.....3

**Installation** ..... 4

    Installation Using an Awning Rail .....4

**Switch Installation** ..... 5

    Installer Furnished Switches.....6

        Alternate Switch A .....6

        Alternate Switch B .....6

    Setting the Motor Limits .....7

    Optional LED Lights.....8

    Switch Installation .....8

## PROPRIETARY STATEMENT

The Marquee Window and OtD Awnings are products of Carefree of Colorado, located in Broomfield, Colorado, USA. The information contained in or disclosed in this document is considered proprietary to Carefree of Colorado. Every effort has been made to ensure that the information presented in the document is accurate and complete. However, Carefree of Colorado assumes no liability for errors or for any damages that result from the use of this document.

The information contained in this manual pertains to the current configuration of the models listed on the title page. Earlier model configurations may differ from the information given. Carefree of Colorado reserves the right to cancel, change, alter or add any parts and assemblies, described in this manual, without prior notice.

Carefree of Colorado agrees to allow the reproduction of this document for use with Carefree of Colorado products only. Any other reproduction or translation of this document in whole or part is strictly prohibited without prior written approval from Carefree of Colorado.

## SAFETY INFORMATION



**This is the safety alert symbol. It is used to alert individuals to potential personal injury hazards. Obey all safety messages that follow this symbol to avoid possible personal injury or death.**



**Indicates a hazardous situation, which if not avoided, could result in death or serious bodily injury.**



**Indicates a hazardous situation, which if not avoided, may result in minor or moderate bodily injury.**



**Indicates a situation that may result in equipment-related damage.**

General Safety:



**This product can expose you to chemicals including Di-isodecyl phthalate (DIDP), Vinyl Chloride and Formaldehyde, which are known to the state of California to cause cancer or birth defects or other reproductive harm. For more information visit [www.P65warnings.ca.gov](http://www.P65warnings.ca.gov)**



**Shock Hazard. Always disconnect battery or power source before working on or around the electrical system.**



**Always wear appropriate safety equipment (i.e. goggles).**



**Always use appropriate lifting devices and/or helpers when lifting or holding heavy objects.**



**When using fasteners, do not over tighten. Soft materials such as fiberglass and aluminum can be “stripped out” and lose the ability to grip and hold.**

## PRODUCT OVERVIEW

The Marquee Window and OtD (Over the Door) Awnings are state of the art lateral arm awnings. When retracted, the housing provides protection against the elements while the streamlined styling blends in with the coach side wall. The full tension canopy fabric allows the awning to be partially or fully extended for best shade coverage. No vertical arms interfere with coach sidewalls, custom graphics or equipment that may be mounted on the sidewalls.

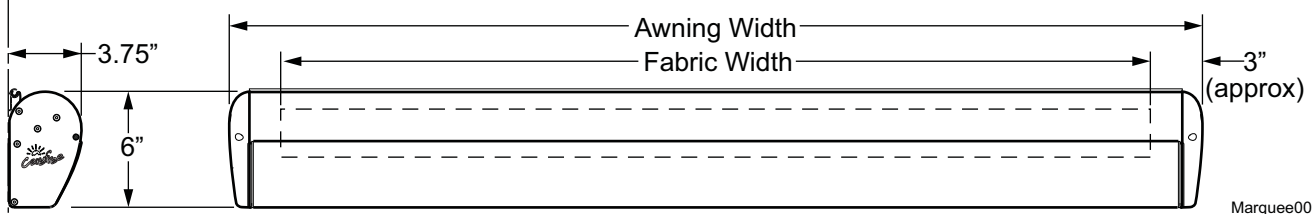
### Awning Specifications:

- Fully retractable and self-storing;
- The sealed awning motor operates on standard 12VDC (range 10VDC to 14VDC);
- Fabric is woven acrylic;
- Case and frame are constructed of high-strength aluminum extrusions, protected with a polyester paint finish;

EXTENSION: 36"	AVAILABLE WIDTHS:	<i>OtD</i> 44" - 72"
		<i>Window</i> 44" - 156"

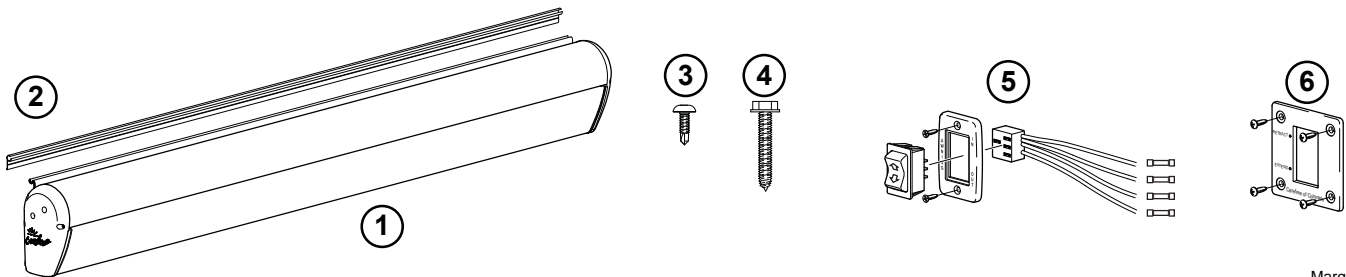
### LEADING EDGE POSITION ACTUATION AND CONTROL

<i>Power:</i>	Lateral Arm Spring	<i>Minimum Tension</i>	Open
<i>Position Control:</i>	<i>Motorized:</i>	Roll Out/In Controlled by Electrical Motor	
<i>Motor Type:</i>	Tubular		
<i>Power:</i>	12VDC	<i>Minimum:</i> 8VDC	<i>Output:</i> 30 Watts
	<i>Nominal Current:</i> 2.5Amps		<i>Max Current:</i> 14Amps (stall @ min voltage)
<i>Power Source:</i>	Motor and controls are routed and hardwired into the vehicle's 12V system		
<i>Torque</i>	<i>Continuous:</i> 6Nm/4.5 ft-lbs.		<i>Tightening:</i> 18Nm/13.2 ft-lbs.
<i>Speed</i>	15 rpm		
FABRIC:	Woven Acrylic Fabric (refer to sales literature for colors available)		



Marquee001b

## COMPONENT CHECKLIST



Marquee003

<input checked="" type="checkbox"/>	ITEM	DESCRIPTION		QTY	NOTE
<input type="checkbox"/>	1	Awning Assembly		1	1
<input type="checkbox"/>	2	Awning Rail		1	
<input type="checkbox"/>	3	Screw, Truss Head, Square Drive	#10 x 1	20	
<input type="checkbox"/>	4	Screw, Lag	1/4 x 1 1/2	3	
<input type="checkbox"/>	5	Switch Kit		1	3
<input type="checkbox"/>	6	Switch Plate Kit, Square		1	2

- Notes:
1. Awning configuration is specified at time of order, including awning length, fabric, color etc.
  2. Square switch plate kit is optional and must be specified at time of order.
  3. OEM's may choose to furnish the control switch. The switch must be a DC polarity reversing switch with dynamic brake.

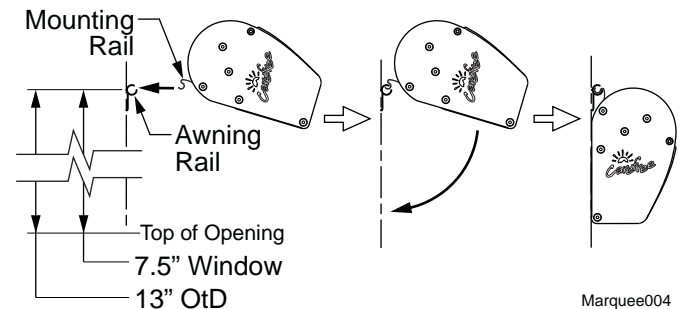
## INSTALLATION

The awning is mounted using a standard awning rail.

If there is an awning rail installed, check that the awning rail runs the full length of the awning. The awning rail must be extremely straight to accommodate the awning mount. If a full length awning rail is installed, skip to step 6 below.

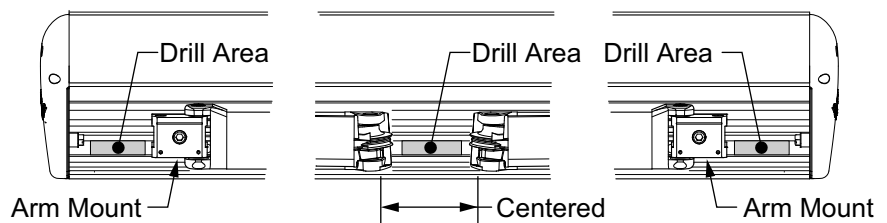
### INSTALLATION USING AN AWNING RAIL

- Determine the optimum positioning of the awning.
  - The centerline of the awning fabric is offset from the centerline of the awning assembly. To align the center of the fabric, use the backplate of the awning assembly for measurements.
  - For OtD applications, set the center of the awning rail a minimum of 13" above the door. When installed, the bottom of the awning case is 5 7/8" from the centerline of the awning rail. The bottom of the case must be a minimum of 7" above the door.
  - For window applications, set the center of the awning rail a minimum of 7 1/2" above the window molding.
  - Measure each end of the rail position so that the rail will be mounted parallel to the ground.
- Mark the position with a chalk line.
- Coat the back of the rail with silicone sealant or putty tape.
- Align the awning rail onto the wall and secure with the truss head, square drive #10 x 3/4 screws. Use all the attach holes and ensure that the rail is securely mounted to the structural frame.
- Lightly coat the outside of the mounting rail of the awning case with a silicone lubricant or equivalent.
- Lift the awning up and tilt as shown.
- Hook the mounting rail of the awning into the awning rail and roll down.
- Adjust the position of the awning horizontally as required. It may be necessary to lightly lift the awning so that it will slide in the awning rail.
- Route the motor wires into the vehicle:
  - Lift the awning upward slightly. On the coach wall, mark the location of where the motor wires exit the awning case. If the location interferes with interior features, the location may be adjusted horizontally along the back of the case. The wires can be routed behind the case to hole.
  - Measure and drill one 3/8" hole through the outer wall at the mark.
  - Route the motor wires through the hole and seal with silicone sealant.
- Rotate the awning down.
- Open the awning. To open the awning, momentarily connect the motor wires to a 9-14VDC drill battery or car battery. If the motor runs in the reverse direction, reverse the leads.



Marquee004

- (Refer to figure 4) Drill three (3) 3/16" holes through the back of the case into the mounting surface and into the structure. Use care to not drill through the inner wall.



Marquee005

- Drill out the 3/16" holes in the awning case to 5/16". Do not allow the drill to extend into the wall.

### NOTICE

**The screws must be located in the open areas of the awning case as shown. The arms cannot close completely if the screw heads are underneath.**

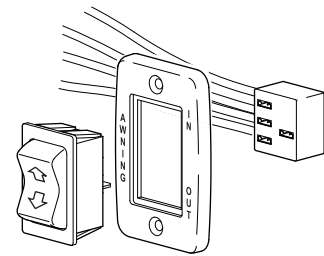
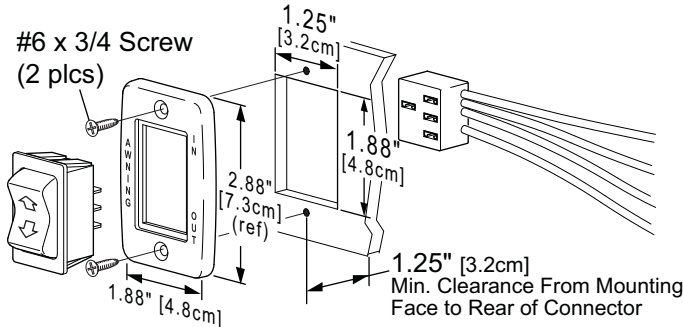
- Secure the awning case to the RV using three (3) 1/4 x 1 1/2 lag screws.

# SWITCH INSTALLATION



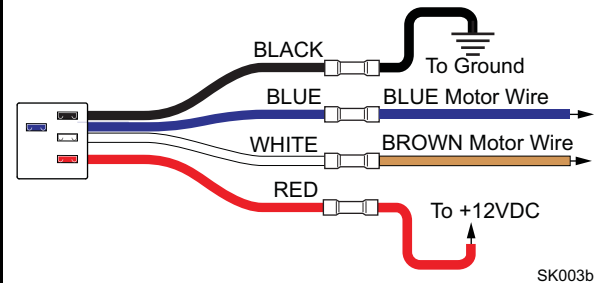
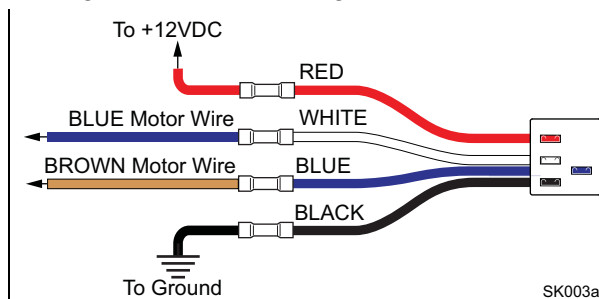
**WARNING Shock Hazard. Always disconnect battery or power source before working on or around the electrical system.**

1. Determine the location for the switch.
  - There is approximately 180cm [70"] of wire from the awning motor. If the distance to the switch exceeds the furnished wire, the installer must furnish 16 awg wire and butt splice to the motor wires.
  - Location should provide the operator a view of the awning during operation.
  - The switch requires a 1 7/8" x 2 7/8" [4.8cm x 7.3cm] area on the mounting surface and a minimum clearance depth of 1.25" [3.2cm] from the mounting surface.
1. At the switch location, cut a rectangular hole 1.25"(3.2cm) x 1.88" (4.8cm) through the mounting surface.



SK002d

2. Determine the switch orientation:
  - 2.1. The wires of the connector extend from the side of the switch with 3 terminals on the back.
  - 2.2. For wire routing on the right side of the switch, orient the switch with the 3 terminals on the right.
  - 2.3. For wire routing on the left side of the switch, orient the switch with the 3 terminals on the left.
  - 2.4. Push the switch into the faceplate until the tabs on the switch "click" into place behind the faceplate. Ensure that the switch and faceplate are oriented so that the lettering is up and the wires are oriented as desired.
  - 2.5. Set switch aside.
3. Route the awning motor wires through the switch hole and attach to the switch connector:



CONNECTOR WIRE COLOR	LH CONNECTOR ORIENTATION	RH CONNECTOR ORIENTATION
RED →	+12VDC	+12VDC
WHITE →	BLUE (motor wire)	BROWN (motor wire)
BLUE →	BROWN (motor wire)	BLUE (motor wire)
BLACK →	Ground	Ground

4. Run a minimum 14 awg wire from the power distribution panel (auxiliary battery circuit) or equivalent. The circuit should be protected by a 15-amp fuse.
5. Run a minimum 14 awg wire to system ground.

**NOTICE** If the wire run for power and/or ground is 30 feet or longer, use 12awg wire to prevent voltage drop.

6. Route the two wires through the mounting hole. Butt splice the 12VDC wire to the RED connector wire. Butt splice the ground wire to the BLACK connector wire.

7. Attach the connector to the switch.
8. Restore power and test the switch operation.
9. If the awning operates opposite to the switch plate markings:
  - Shut off power;
  - Reverse motor wires connected to the blue and white connector wires;
  - Restore power and test.
10. Push the wires, connector and switch into the mounting hole and secure the switch plate. Use two (2) #6 x 3/4" flat head screws.

### INSTALLER FURNISHED SWITCHES

Two switch alternatives are available for installers wishing to furnish the control switch.

#### *Alternate Switch A*

The installer can use a single pole, double throw switch with momentary ON, center OFF (Momentary ON – OFF – Momentary ON). The switch MUST be a DC polarity reversing switch with dynamic brake.

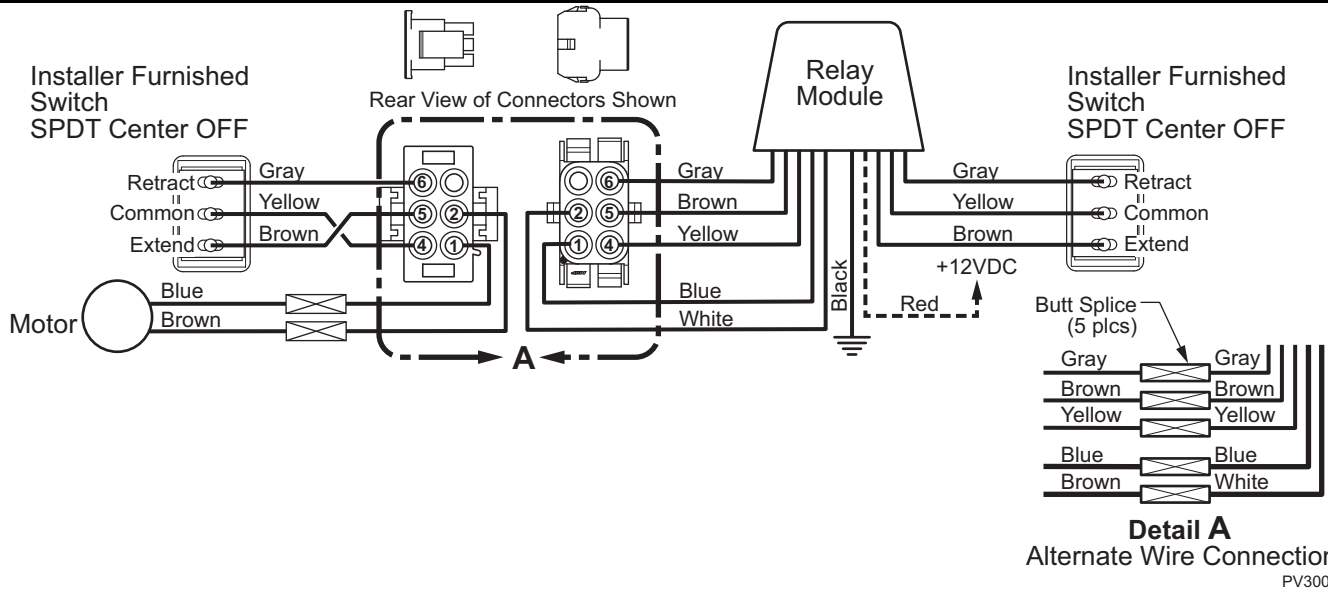
#### *Alternate Switch B*

Used with the Carefree relay module, the installer may use up to two (2) single pole switches. The switch(es) must be momentary on, single pole, double throw, center OFF (Momentary ON – OFF – Momentary ON).

1. Route a cable for the motor wires from the motor location through the vehicle walls to the location of the switch/relay module. The recommended cable from the switch to the awning should be 2-conductor, 20AWG, stranded, PVC coated, unshielded wire.
2. Butt-splice the motor wires to the installer furnished cable wires. Match the wire colors.
3. Determine the location of the switch.
  - Location should provide the operator a view of the shade during operation.
  - Follow the switch manufacturer's directions for preparing the switch mount location.
  - The relay module must be mounted within 16" or less of the switch location.
4. Separate the wires from the relay module into 3 groups:
  - Brown, yellow and gray (primary switch),
  - Black and red (power leads),
  - Connector bundle with: Brown, yellow and gray (switch); and, Blue and white (motor).

**NOTE:** The relay module harness is supplied with one connector installed. The installer must furnish the mating connector (p/n 1-480704) and terminals (p/n 350547-3) for the second switch and motor cables. Vendor: AMP/Tyco Electronics.

5. Measure and cut away any excess cable from the motor and primary switch wires. Terminate the wires and install in the mating connector as shown.
4. Run a wire from chassis ground to the relay module. Suitable ground would be the vehicle chassis or conductive structure connected to the chassis. Butt splice to the black (ground) relay wire.
5. Run an 18 gauge wire from the power distribution panel (auxiliary battery circuit) or equivalent to the relay module. The circuit should be protected by a 5 amp fuse (the motor has a maximum 2 amp stall current). Butt splice to the red (+12VDC) relay wire.



6. Restore vehicle power and test the switch operation. Note which direction extends the awning and which direction retracts the awning.
7. Orient the switch so that pushing the switch up corresponds with retracting the awning, pushing the switch down corresponds with extending the awning. Install the switch into the mounting surface.  
**NOTE:** If the switch cannot be reoriented, reverse the top and bottom leads to the switch to reverse awning direction.
8. On the relay module, remove the paper cover on the adhesive foam and press the module onto a flat surface.

### SETTING THE MOTOR LIMITS

The motor limit switches are preset at the factory for best operation of the awning. The "OUT" limit switch is used to stop the motor when the awning is fully extended. The "IN" limit switch is used to stop the motor when the awning is fully retracted.

For motor replacement and/or if limit adjustments are necessary, refer to the "Marquee Service Manual" available on-line at [www.carefreeofcolorado.com](http://www.carefreeofcolorado.com)

## OPTIONAL LED LIGHTS

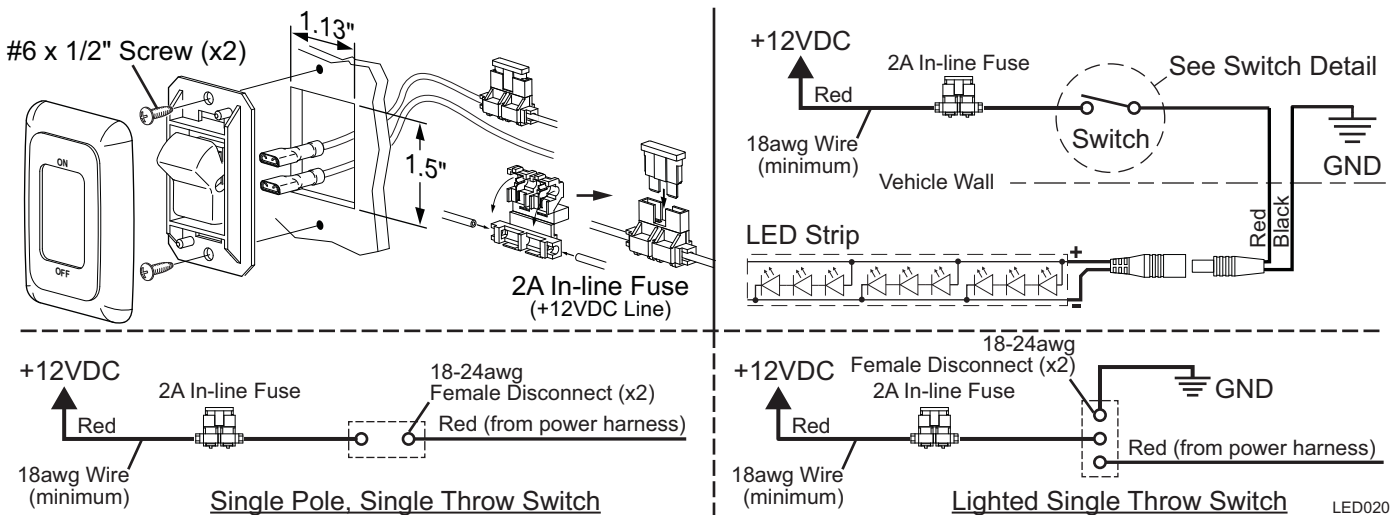
Optional LED lighting is mounted in the lead rail. The wiring is routed along the top of the arm. Route the LED wire harness with the motor cable into the vehicle.

**NOTICE** The following information must be followed to avoid damage to the wiring during and after installation.

- The wire should be secured to the wall of the vehicle where it is exposed on the outside of the vehicle. Use a quality silicone sealant/adhesive.
- Do not route the wire over sharp edges or heat sources that can damage the wires or wire insulation.
- Damage that is a result of improper routing may void warranty.

## SWITCH INSTALLATION

**NOTE:** Installers may choose to furnish the control switch. The installation requires that the power line (+12VDC) be attached to a dedicated 2A circuit breaker or a 2A in-line fuse must be installed between the switch and power source. For easy access, locate the fuse close to the switch.



- Determine the location of the switch.
- At the switch location, cut a 1 1/8" x 1 1/2" hole.
- Wire the switch as shown below. Wire terminals at the switch are .187, 18-24 awg female disconnects.
 

**NOTE:** Allow adequate slack in the 12VDC power line so that the in-line fuse (installed in step 4) can be accessed from behind the switch.
- Install the in-line fuse:
  - Near the switch, cut the red 12VDC power line to the switch. Do not strip the insulation.
  - Insert a wire end into one of the wire channels until it butts up against the stop.
  - Fold that half of the connector body over until the element contacts the wire. Use pliers to crimp the connector closed.
  - Repeat for the second wire end.
  - Slide the fuse into the fuse port. Ensure that the fuse is firmly seated.
- Press the in-line fuse, wires and switch into the mounting hole. Secure the switch using two (2) #6 x 1/2" screws.
- Snap the switch bezel over the switch frame.