



INSTALLATION MANUAL LATITUDE OTD/WA

RV

12V MOTORIZED LATERAL ARM AWNING



Read this manual before installing or using this product. Failure to follow the instructions and safety precautions in this manual can result in personal injury and/or cause the product to not operate properly.

This manual covers the basic physical installation of the awning. To install the BT12 Wireless Awning Control System, refer to 070029-001 BT12 Installation Manual.
The manual is available on-line at www.carefreeofcolorado/carefreeconnects.

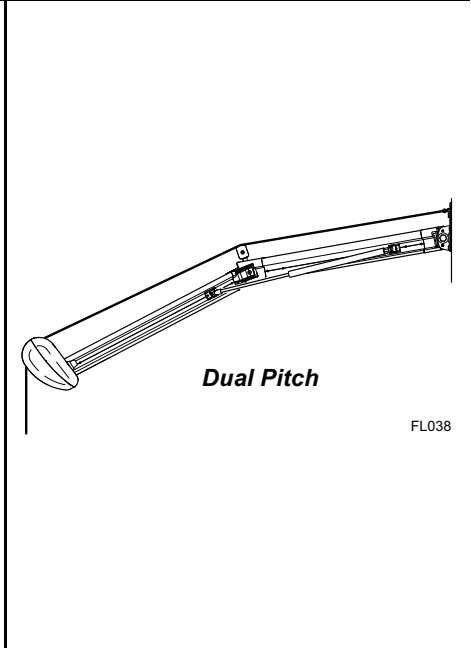


TABLE OF CONTENTS

Product Overview	1
Component Checklist.....	1
Installation	2
Pre-Installation Requirements	2
Mark the Fastener Locations	2
Mounting the Awning	3
Attaching the Canopy	4
Remove the Temporary Assembly Pins	4
Adjusting the Arm Position	4
Adjusting the Pitch	5
Temporarily Powering the Awning	5

PROPRIETARY STATEMENT

The Latitude OtD/WA Awning is a product of Carefree of Colorado, located in Broomfield, Colorado, USA. The information contained in or disclosed in this document is considered proprietary to Carefree of Colorado. Every effort has been made to ensure that the information presented in the document is accurate and complete. However, Carefree of Colorado assumes no liability for errors or for any damages that result from the use of this document.

The information contained in this manual pertains to the current configuration of the models listed on the title page. Earlier model configurations may differ from the information given. Carefree of Colorado reserves the right to cancel, change, alter or add any parts and assemblies, described in this manual, without prior notice.

Carefree of Colorado agrees to allow the reproduction of this document for use with Carefree of Colorado products only. Any other reproduction or translation of this document in whole or part is strictly prohibited without prior written approval from Carefree of Colorado.

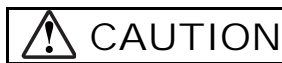
SAFETY INFORMATION



This is the safety alert symbol. It is used to alert individuals to potential personal injury hazards. Obey all safety messages that follow this symbol to avoid possible personal injury or death.



Indicates a hazardous situation, which if not avoided, could result in death or serious bodily injury.



Indicates a hazardous situation, which if not avoided, may result in minor or moderate bodily injury.



Indicates a situation that may result in equipment-related damage.

General Safety:



This product can expose you to chemicals including Di-isodecyl phthalate (DIDP), Vinyl Chloride and Formaldehyde, which are known to the state of California to cause cancer or birth defects or other reproductive harm. For more information visit www.P65warnings.ca.gov



Shock Hazard. Always disconnect battery or power source before working on or around the electrical system.



Always wear appropriate safety equipment (i.e. goggles).



Always use appropriate lifting devices and/or helpers when lifting or holding heavy objects.



When using fasteners, do not over tighten. Soft materials such as fiberglass and aluminum can be "stripped out" and lose the ability to grip and hold.

PRODUCT OVERVIEW

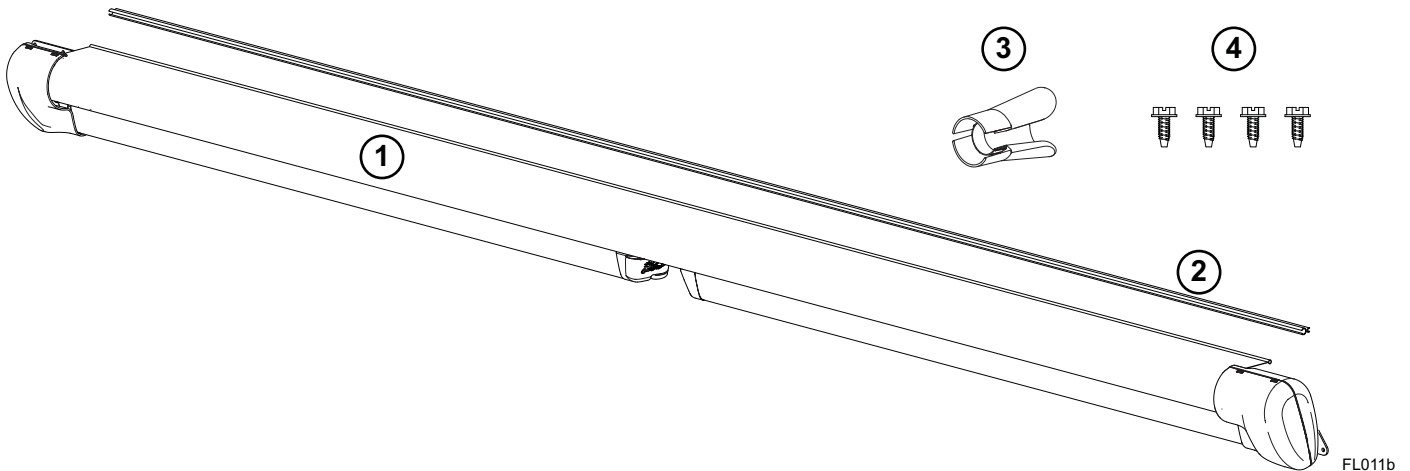
The Latitude Awning is a state of the art lateral arm awning. Each unit is equipped with lateral support arms. No vertical arms interfere with coach sidewalls, custom graphics or equipment mounted on the sidewalls.

- Fully retractable and self-storing;
- The awning motor operates on standard 12VDC (range 10VDC to 14VDC);
- Single touch operation for extend and retract;
- BT12 Wireless Awning Control System is standard;
- LED lights standard, mounted in roller tube.

SPECIFICATIONS

Length:	73.75" [187cm]	
Extension:	56" [142cm]	
Support:	Lateral Spring Arms	
Motor:	Power: 10VDC–14VDC	Circuit Rating: 15 amp
(motor is mounted in RH roller tube head)		
Power Source:	Motor and controls are wired into the vehicle's 12V system	
Controls:	Carefree BT12 Wireless Awning Control System	
Color:	Hardware:	White or Black
	Fabric:	Heavy Duty Vinyl with Weatherguard or FLXguard (refer to sales literature for available colors)

COMPONENT CHECKLIST



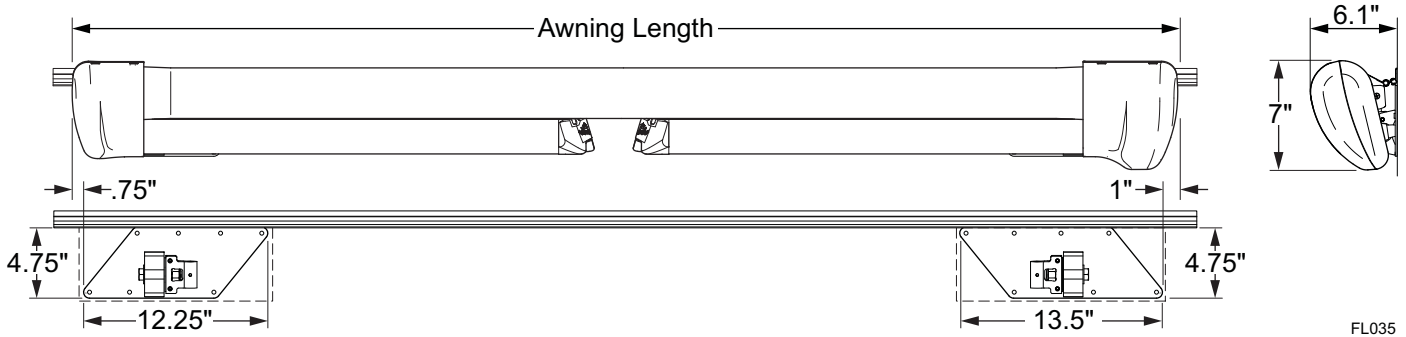
<input checked="" type="checkbox"/>	ITEM	DESCRIPTION	QTY	NOTE
<input type="checkbox"/>	1	Awning Assembly	1	
<input type="checkbox"/>	2	QuickConnect	1	
<input type="checkbox"/>	3	Canopy Funnel	1	
<input type="checkbox"/>	4	Screw, HWHC	#6 x 3/8" 4	

- Notes:
1. Awning configuration is specified at time of order, including awning length, fabric, color and electronics. Check awning assembly against original purchase order.
 2. Mounting screws are ordered separately. Available in single awning or master pack quantities. 2 screw styles available: 1/4-20 x 1 self-drilling screws or 1/4 x 2" lag screws. Screws available in White or Black.

INSTALLATION

PRE-INSTALLATION REQUIREMENTS

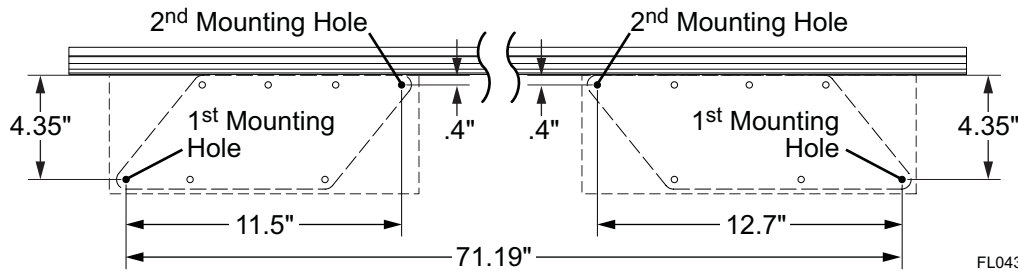
1. Ensure that the awning will not interfere with light fixtures, exhaust vents, openings, etc. The mounting area should be clear a minimum of 6" below the awning rail and the full mounting length of the awning.
2. Actual mounting length is 2.6" longer than the stated awning length.
3. The brackets must be secured to a backing plate as large as the brackets. The backing plate must be fully attached to the structure of the vehicle.
 - Aluminum backing plates must be a minimum .125" thick.
 - Steel backing plates must be a minimum 13 gauge (.09" thick).
 - Wood backing plates must be thick enough to allow a minimum of 1.5" of thread engagement.
4. The bottom of the awning rail should be a minimum of 7.5" above the door opening or window.



FL035

Mark the Fastener Locations

On the vehicle wall carefully mark and drill the 1st and 2nd fastener locations for each mounting plate. Pilot hole size will depend on the type of fastener used.



FL043

Notes about screws:

- For installations using metal backing plates: Attach using 1/4 x 1" self-drilling screws. The screws must be long enough for the threads to reach through the backing plate.
- For installations using wood backing plates: Attach using 1/4 x 2" lag screws. The screws must be long enough to provide a minimum of 1.5" of thread engagement in the wood.

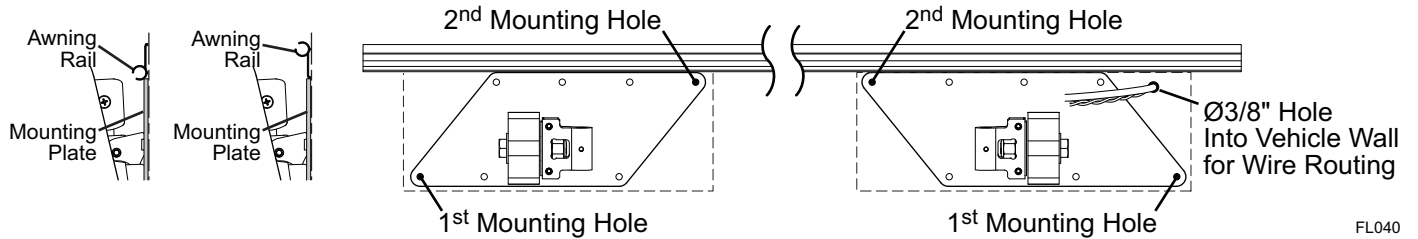
MOUNTING THE AWNING

CAUTION To prevent personal injury and damage to the awning, do not remove any of the shipping wrap around the roller tube, the ties around the arms or the temporary assembly pin in the idler head until instructed to do so in the installation steps.

It is recommended that 2 people lift and hold the awning while a third person installs the fasteners.

1. Firmly hold the first arm and remove the straps and ties holding the arm. Allow the arm to extend out.
2. Repeat for the second arm.

NOTICE The arms and mounting plate will pivot when released and must be held in position until attached to the vehicle wall.



3. Lift the awning up and align the first bracket with the marks made previously. Attach the plate in the 1st and 2nd mounting holes. Make sure that the top of the mounting plate is flush with the bottom of the awning rail.
4. Line up the second mounting plate with the previously marked holes. Attach the plate in the 1st and 2nd mounting holes. Make sure that the top of the mounting plate is flush with the bottom of the awning rail.
5. Finish attaching the awning with 5 additional fasteners in each mounting plates.

NOTE: While attaching the screws, apply a quality sealant around the screws and holes.

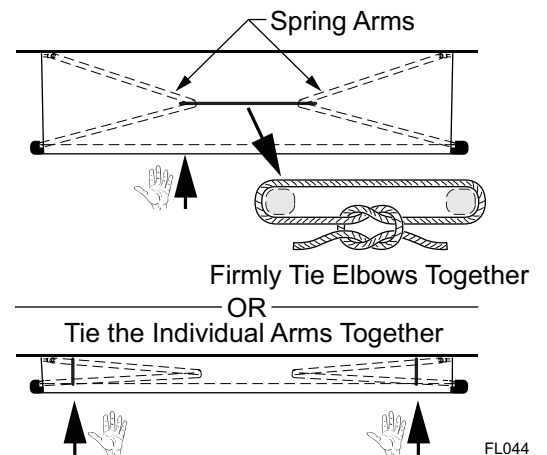
6. Press the roller tube in and tie the arms together in the closed position.

- 6.1. Firmly tie the elbows of the spring arms together.

OR

- 6.2. Securely tie the arm channels together. The ties should be close to the head.

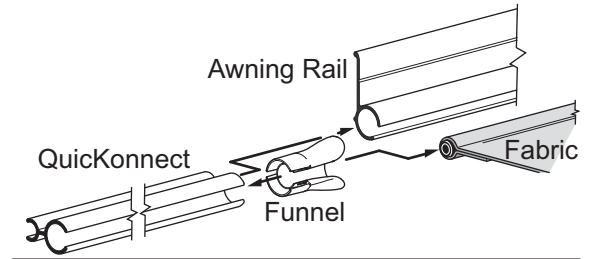
- 6.3. When tying the arms Use a minimum 1/2" rope - do not use bungee cords. When tying the rope, use a non-slip knot such as a square knot or equivalent.



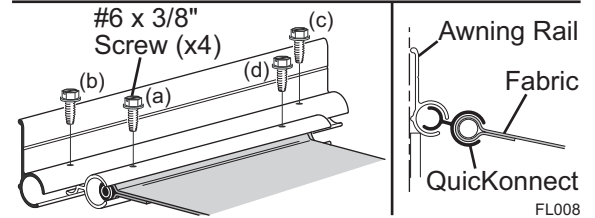
Attaching the Canopy

After the awning arms have been attached, it will be necessary to attach the canopy to the awning rail.

1. Remove the plastic wrap from the roller tube and fabric.
2. Unwrap the fabric over the roller tube and toward the awning rail. Unwrap enough to reach the awning rail.
3. Slip the fabric funnel onto the QuickConnect.
4. While holding the fabric, simultaneously slide the QuickConnect into the awning rail and over the canopy.
5. Center the fabric and QuickConnect with the roller tube.
6. Remove the funnel from the QuickConnect.



7. Secure the fabric and QuickConnect:
 - 7.1. Place one (1) #6 x 3/8" screw (a) through the QuickConnect, fabric and polyrod approximately 1" in from the fabric edge.
 - 7.2. Place one (1) #6 x 3/8" screw (b) through the awning rail outside the end of the QuickConnect (not through the QuickConnect).
 - 7.3. On the other end of the QuickConnect place one (1) #6 x 3/8" screw (c) through the awning rail outside the end of the QuickConnect (not through the QuickConnect).
 - 7.4. Pull the fabric tight in the QuickConnect then place one (1) #6 x 3/8" screw (d) through the QuickConnect, fabric and polyrod approximately 1" in from the fabric edge.



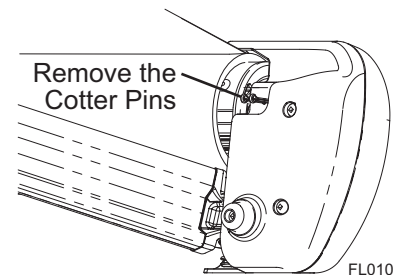
8. While holding the roller tube, remove the ties holding the arms.
9. Allow the roller tube to extend until the fabric is taut.

NOTICE The awning installation is not complete. Except as directed, the awning should not be operated until completing all installation instructions including Adjusting the Arm Position.

Remove the Temporary Assembly Pins

Two pins are inserted into the back of the left (idler) head for lateral stability during installation. Using a pair of pliers, remove and discard the pins.

NOTICE Before operating the awning except as noted, the temporary pins must be removed. Failure to remove the pins may cause the awning to not operate correctly.



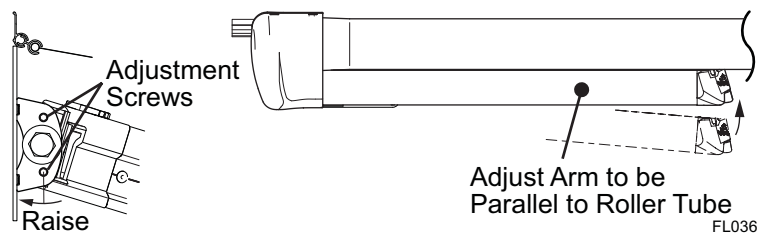
Adjusting the Arm Position

For the awning to operate and close correctly, the arms must be parallel to the roller tube. If the arm sags, the arm position can be adjusted to bring the arm parallel.

1. Partially close the awning leaving the roller tube 6" to 7" from the wall to access the adjustment screws located on the side of the arm knuckle at the wall.
2. Loosen the upper screw (counterclockwise).
3. Tighten (clockwise) the lower screw to raise the arm elbow.

NOTE: Make adjustments in quarter turn increments.

4. Repeat steps 2 and 3 until the arm is parallel with the roller tube.



ADJUSTING THE PITCH

The awning pitch can be adjusted. It is strongly recommended that adjustments be made in small increments to achieve the desired setting.

This procedure works best with 2 people. One person to lift the roller tube to relieve the weight and one person to make the adjustments. **DO NOT USE POWER TOOLS, ALWAYS USE HAND TOOLS TO MAKE ADJUSTMENTS.**

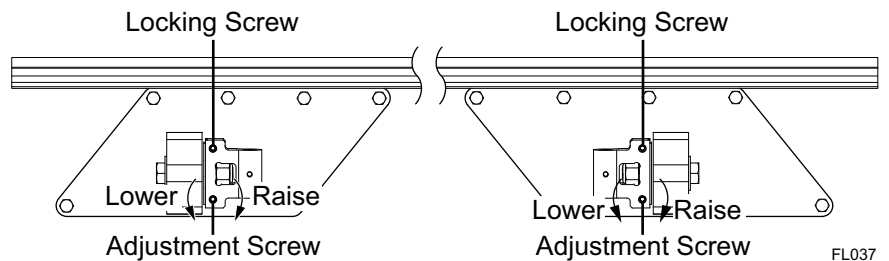
1. Open the awning.
2. At the top of the knuckle loosen the locking screw approximately 1/4".

NOTICE The locking screw **MUST** be loosened before adjusting the pitch.

3. To raise the pitch: Turn the lower adjustment screw clockwise.
4. To lower the pitch: Turn the lower adjustment screw counterclockwise.
5. Hand tighten the locking screws until snug when the desired pitch is achieved.

NOTICE Do **NOT** overtighten the locking screw. Overtightening the screw can cause unnecessary strain and wear on the knuckle.

Important Note: After the initial installation and the awning is opened, the awning may settle. This is normal. Check that the locking screws on the knuckle are snug.



TEMPORARILY POWERING THE AWNING

To temporarily operate the awning before the electronic controls are installed, it is possible to jump the motor.

1. Temporarily connect the ends of the motor wires to a 12V-14V source (such as a drill battery). If the awning does not begin to move, reverse the leads.
2. Remove the battery after the awning is in the desired position.